



US008816780B2

(12) **United States Patent**
Wang et al.

(10) **Patent No.:** US 8,816,780 B2
(45) **Date of Patent:** Aug. 26, 2014

(54) **APPARATUS AND METHOD FOR CALIBRATING TIMING MISMATCH OF EDGE ROTATOR OPERATING ON MULTIPLE PHASES OF OSCILLATOR**

(75) Inventors: **Chi-Hsueh Wang**, Kaohsiung (TW);
Robert Bogdan Staszewski, Delft (NL)

(73) Assignee: **Mediatek Inc.**, Science-Based Industrial Park, Hsin-Chu (TW)

(*) Notice: Subject to any disclaimer, the term of this patent is extended or adjusted under 35 U.S.C. 154(b) by 152 days.

5,214,682 A	5/1993	Clark	
5,970,110 A	10/1999	Li	
6,359,950 B2 *	3/2002	Gossmann et al.	375/376
6,748,408 B1	6/2004	Bredin	
6,791,379 B1	9/2004	Wakayama	
6,897,691 B2 *	5/2005	Chen et al.	327/153
7,084,678 B2	8/2006	Van Zeijl	
7,205,804 B2	4/2007	Schoner	
7,356,107 B2	4/2008	Xiu	
7,496,168 B2	2/2009	Leonowich	
7,532,029 B1	5/2009	Asaduzzaman et al.	
7,560,962 B2	7/2009	Kamath	
7,635,999 B1	12/2009	Jamal	

(Continued)

FOREIGN PATENT DOCUMENTS

CN	1608342 A	4/2005
TW	200952341	12/2009

OTHER PUBLICATIONS

Pellerano, "A 4.75-GHz Fractional Frequency Divider-by-1.25 With TDC-Based All-Digital Spur Calibration in 45-nm CMOS", IEEE Journal of Solid-State Circuits, pp. 3422-3433, vol. 44, No. 12, Dec. 2009.

Primary Examiner — Joseph Chang
Assistant Examiner — Jeffrey Shin

(74) Attorney, Agent, or Firm — Winston Hsu; Scott Margo

(21) Appl. No.: **13/170,187**

(22) Filed: **Jun. 28, 2011**

(65) **Prior Publication Data**

US 2012/0025918 A1 Feb. 2, 2012

Related U.S. Application Data

(60) Provisional application No. 61/368,015, filed on Jul. 27, 2010.

(51) **Int. Cl.**
H03L 7/00 (2006.01)
H03L 7/099 (2006.01)

(52) **U.S. Cl.**
CPC **H03L 7/0996** (2013.01)
USPC **331/25**; 331/10; 331/11; 331/12;
331/45

(58) **Field of Classification Search**
USPC 327/153; 331/10, 11, 12, 25, 45
See application file for complete search history.

(56) **References Cited**

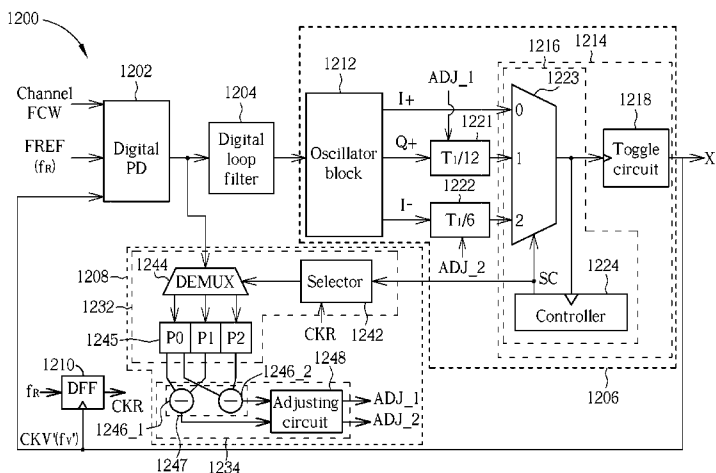
U.S. PATENT DOCUMENTS

4,639,780 A	1/1987	Willis	
5,172,397 A *	12/1992	Llewellyn	375/359

(57) **ABSTRACT**

An exemplary calibration apparatus for calibrating timing mismatch of an edge rotator operating on multiple phases of an oscillator includes a capturing block arranged to capture phase error samples, and a calibrating block arranged to adjust timing of said edge rotator according to said phase error samples. An exemplary calibration method for calibrating timing mismatch of an edge rotator operating on multiple phases of an oscillator includes the following steps: capturing phase error samples, and adjusting timing of said edge rotator according to said phase error samples.

24 Claims, 13 Drawing Sheets



(56)

References Cited

U.S. PATENT DOCUMENTS

7,636,007 B2 12/2009 Wakayama
 7,741,918 B1 6/2010 Li
 7,778,610 B2 8/2010 Staszewski
 7,809,338 B2 10/2010 Tsfati
 7,894,564 B2 2/2011 Hsiao-Chyi
 8,063,677 B2* 11/2011 Kim 327/156
 8,090,068 B2 1/2012 Sun
 8,248,118 B2 8/2012 Subburaj
 8,493,107 B2 7/2013 Staszewski
 2003/0099321 A1 5/2003 Juan et al.
 2003/0118142 A1 6/2003 Xiu
 2004/0196108 A1* 10/2004 Craninckx 331/16
 2004/0252805 A1 12/2004 Van Zeijl
 2005/0030073 A1 2/2005 Wakayama
 2005/0162552 A1 7/2005 Xiu
 2005/0225367 A1 10/2005 Schoner

2006/0132200 A1 6/2006 Dietl
 2006/0245531 A1 11/2006 Leonowich
 2006/0284746 A1 12/2006 Huang
 2007/0041484 A1 2/2007 Khanoyan
 2007/0194817 A1 8/2007 Decker
 2007/0285176 A1 12/2007 North
 2008/0002788 A1 1/2008 Akhtar
 2008/0055008 A1 3/2008 Staszewski
 2008/0055010 A1 3/2008 Lerner et al.
 2008/0094145 A1* 4/2008 Kuan et al. 331/11
 2008/0107154 A1 5/2008 Hsiao-Chyi
 2008/0111634 A1* 5/2008 Min 331/10
 2008/0122501 A1 5/2008 Narusawa
 2008/0265998 A1 10/2008 Wood
 2009/0243679 A1 10/2009 Smith et al.
 2012/0027143 A1 2/2012 Wang
 2012/0032715 A1 2/2012 Subburaj
 2012/0194235 A1 8/2012 Subburaj

* cited by examiner

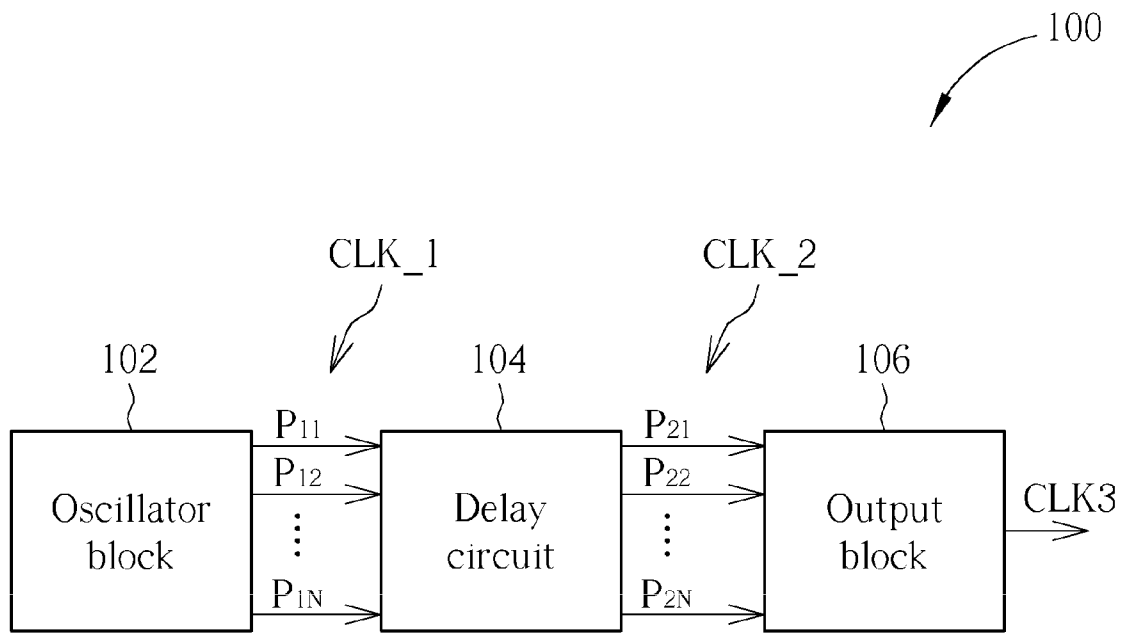


FIG. 1

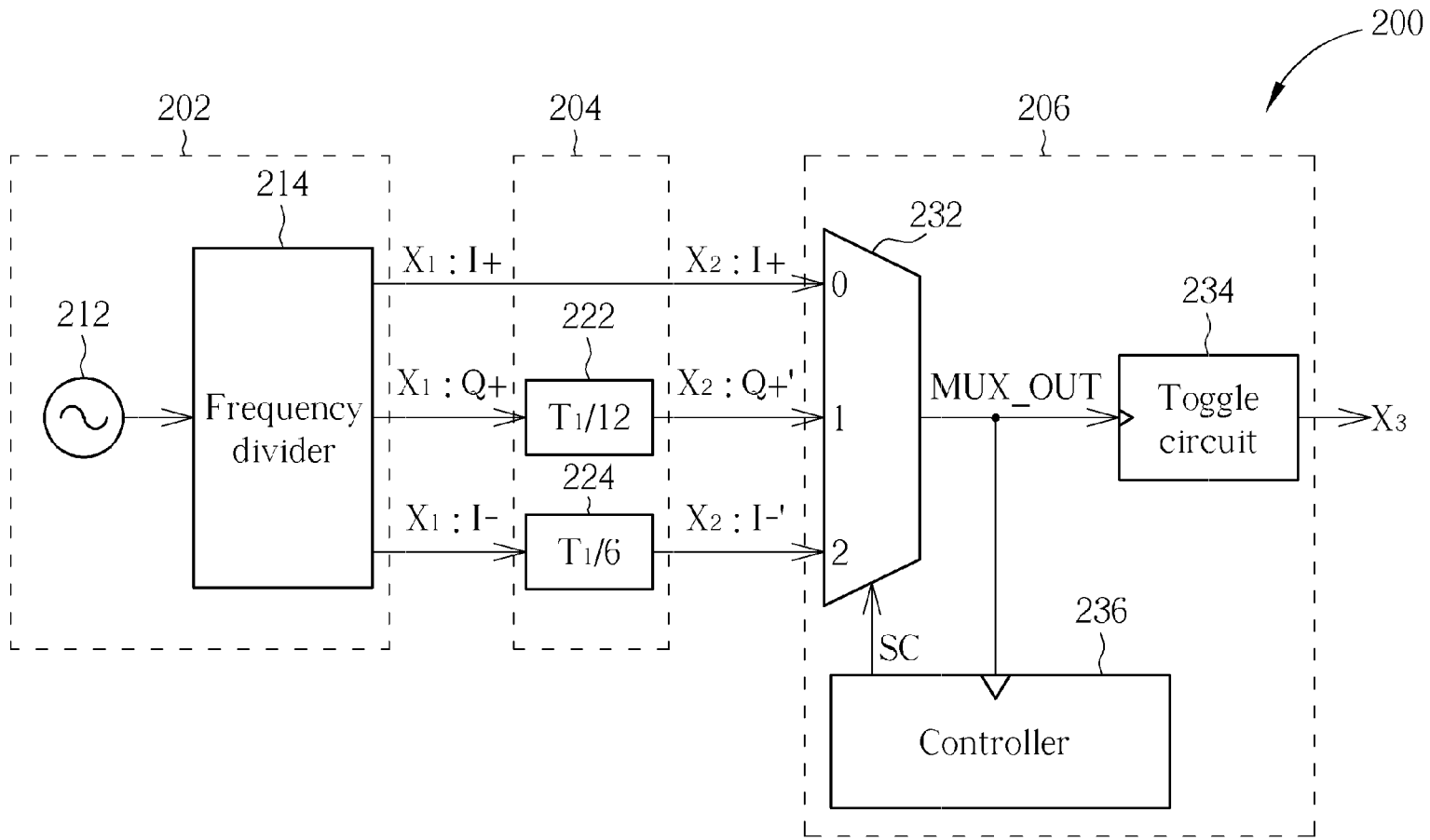


FIG. 2

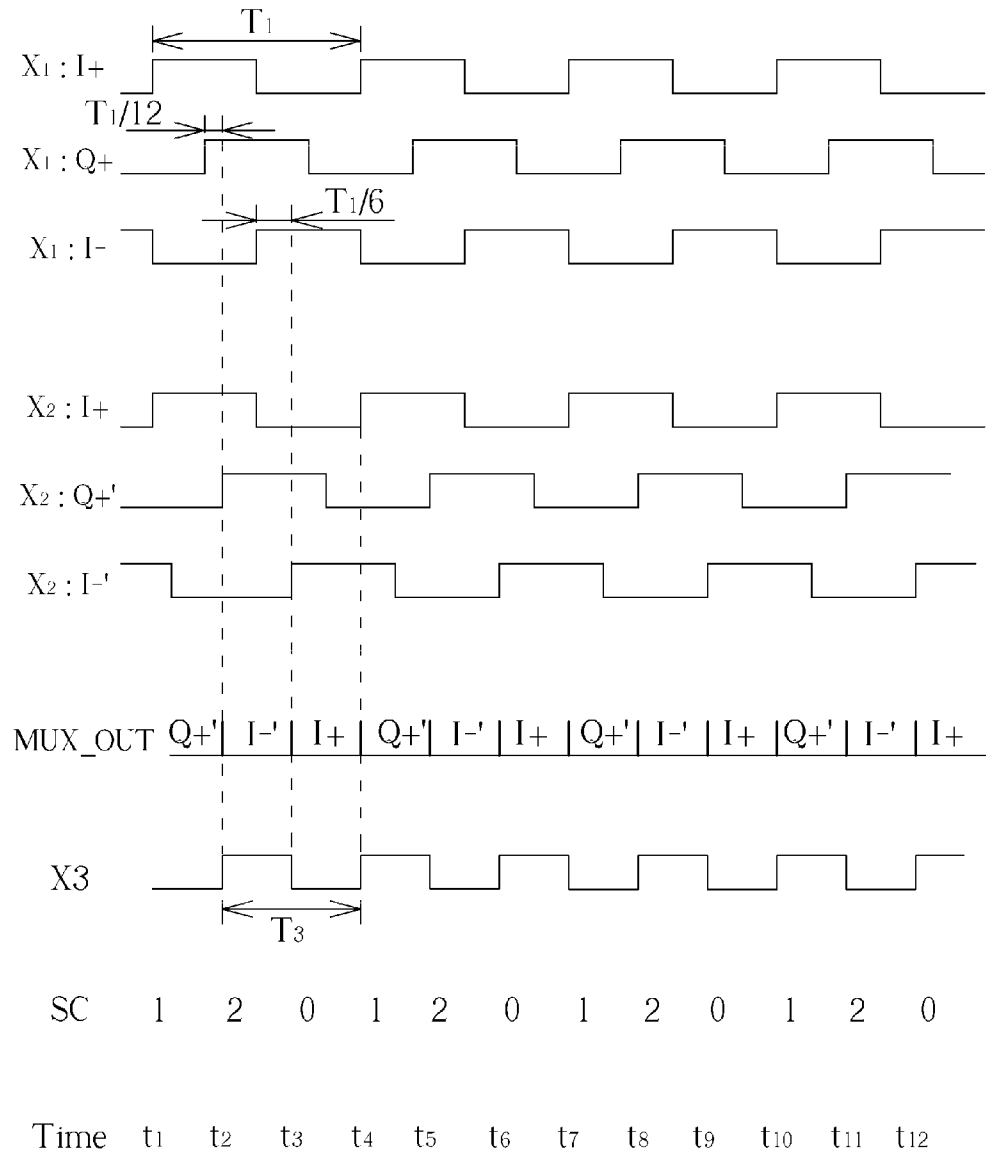


FIG. 3

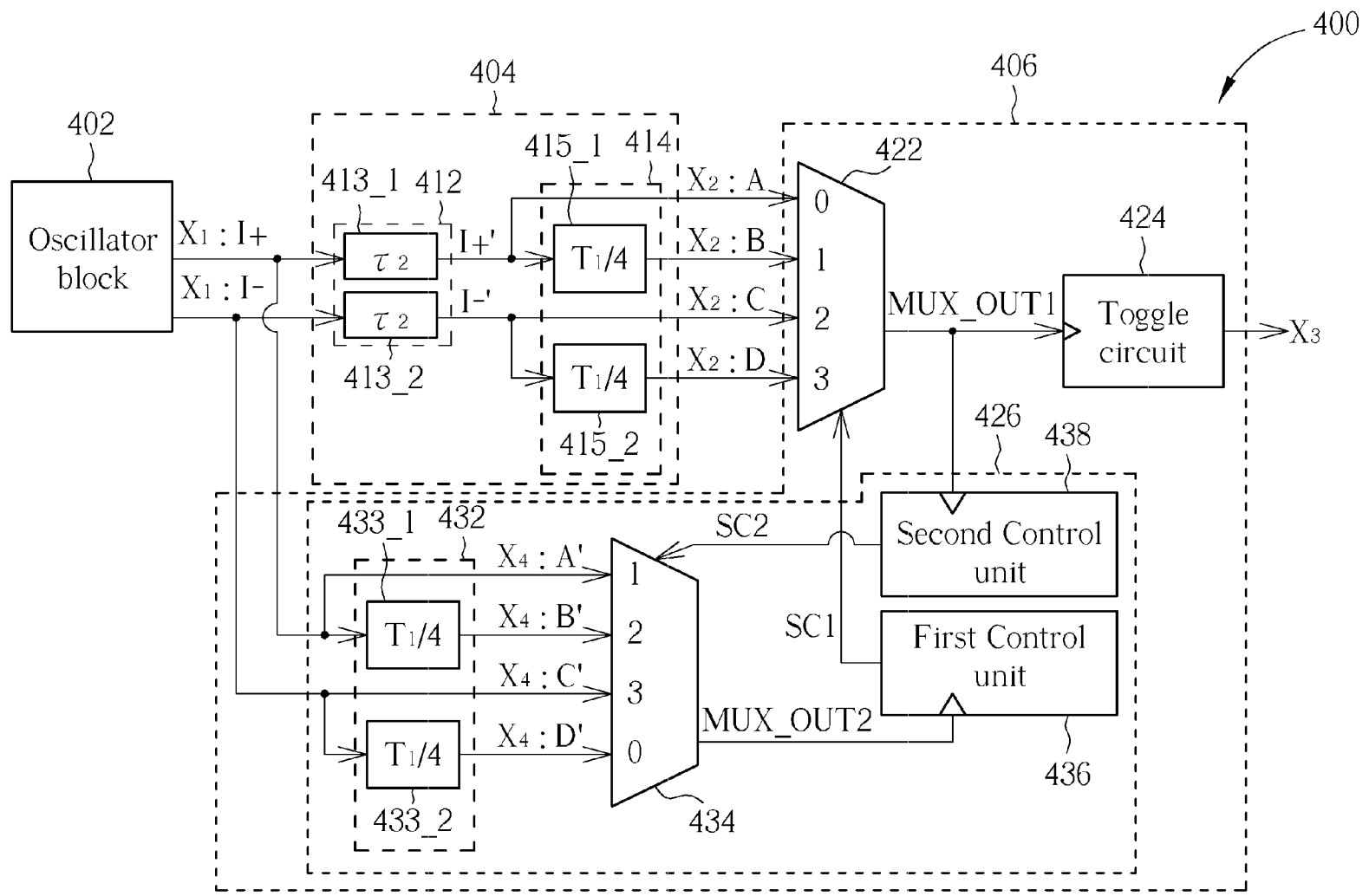


FIG. 4

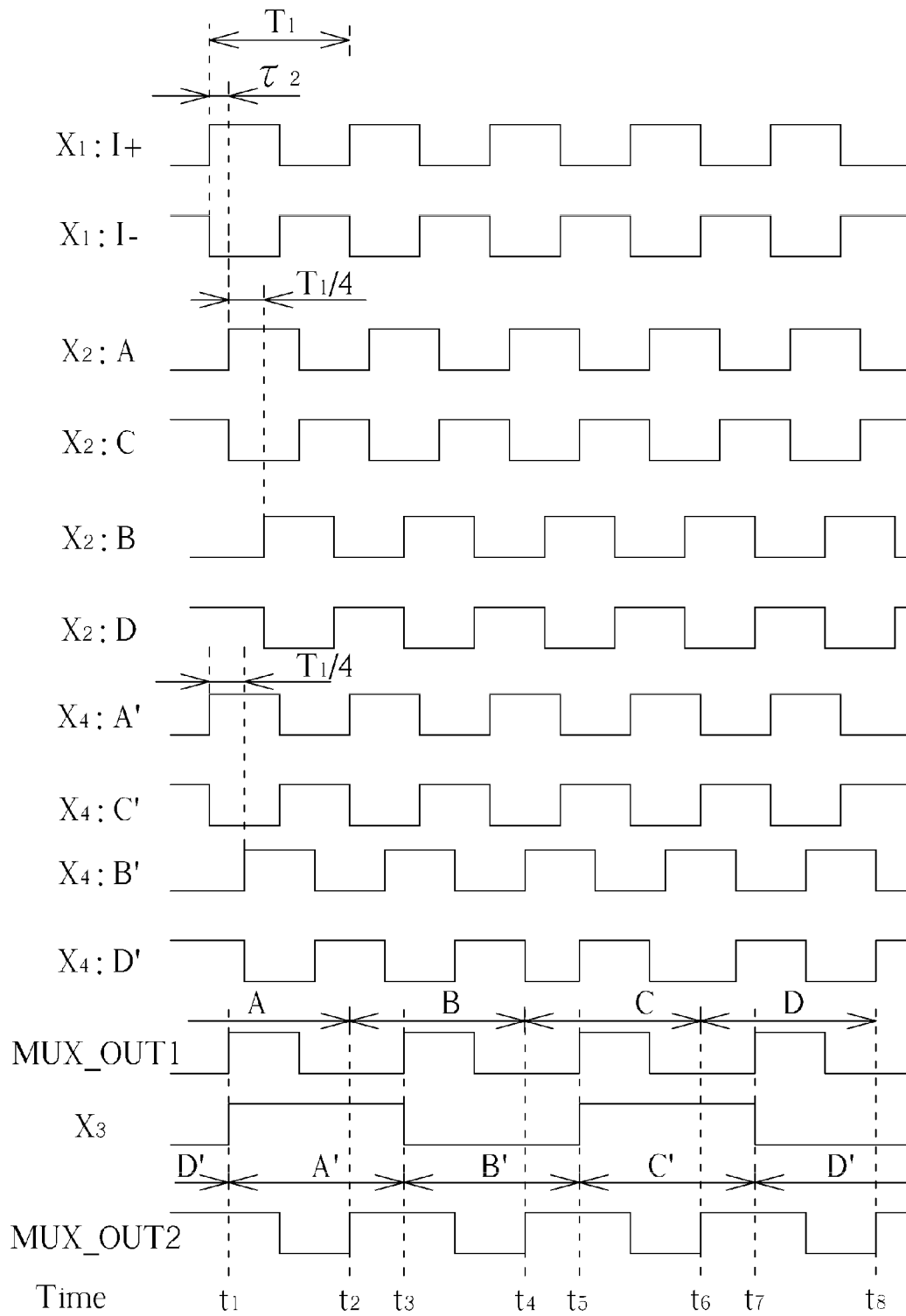


FIG. 5

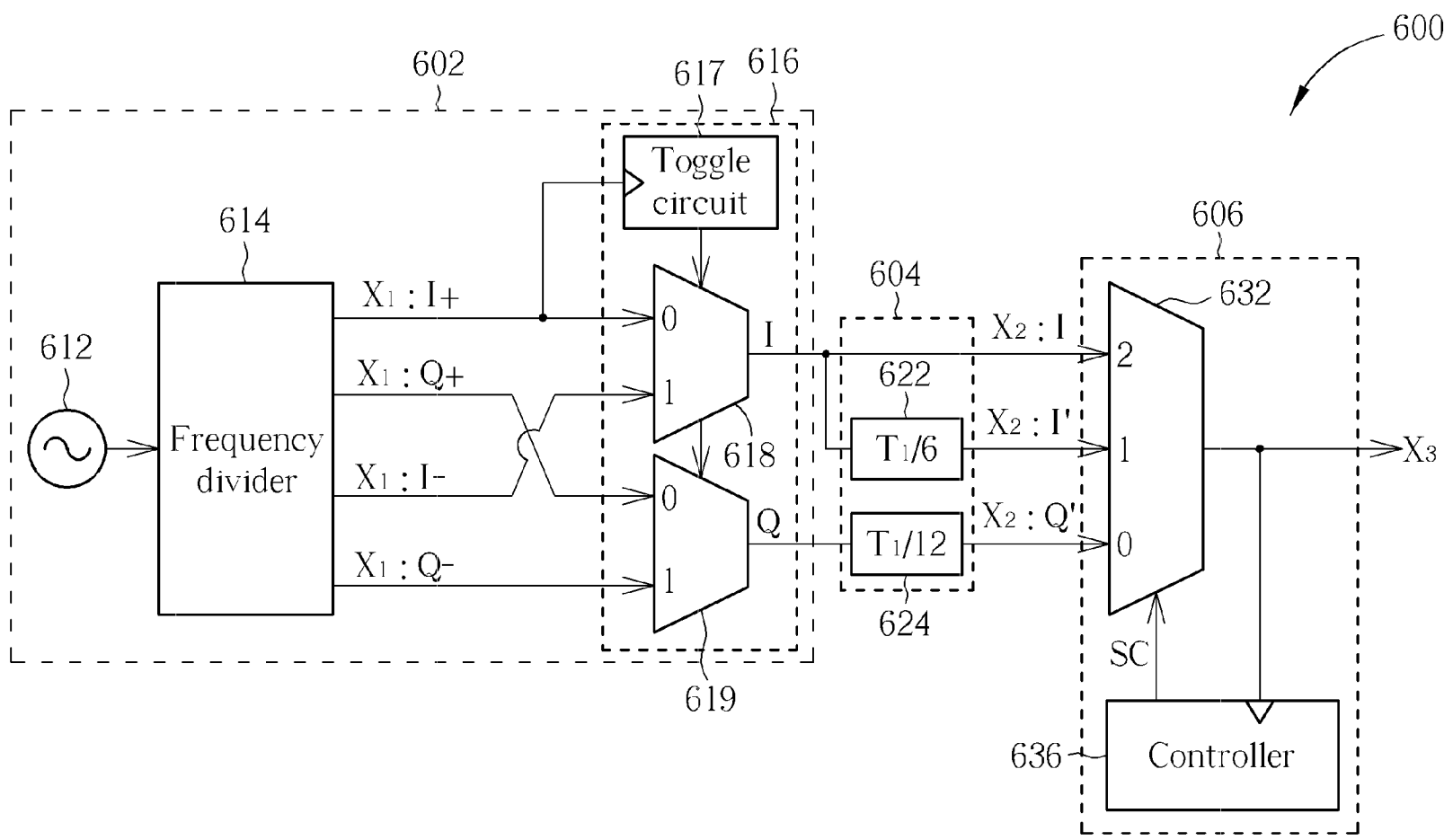


FIG. 6

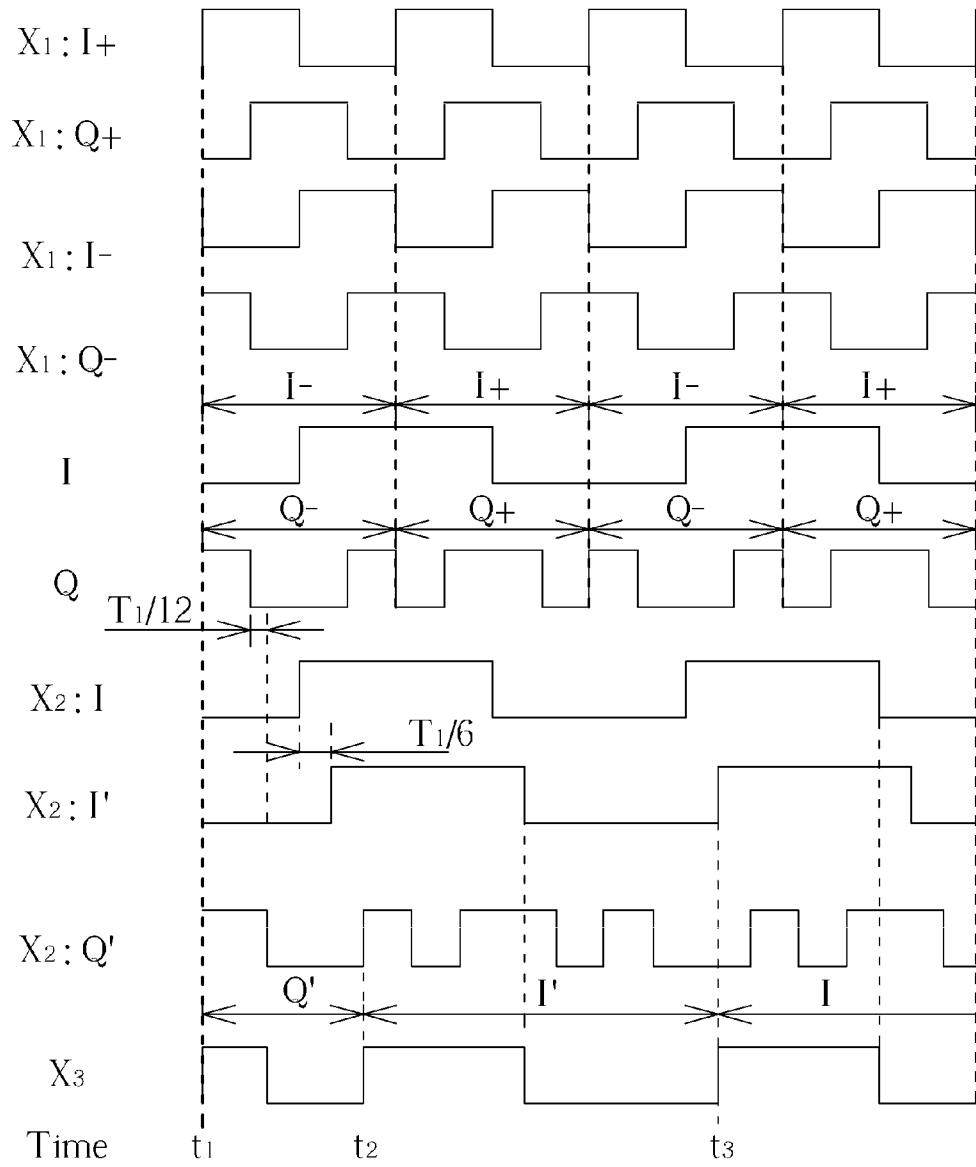


FIG. 7

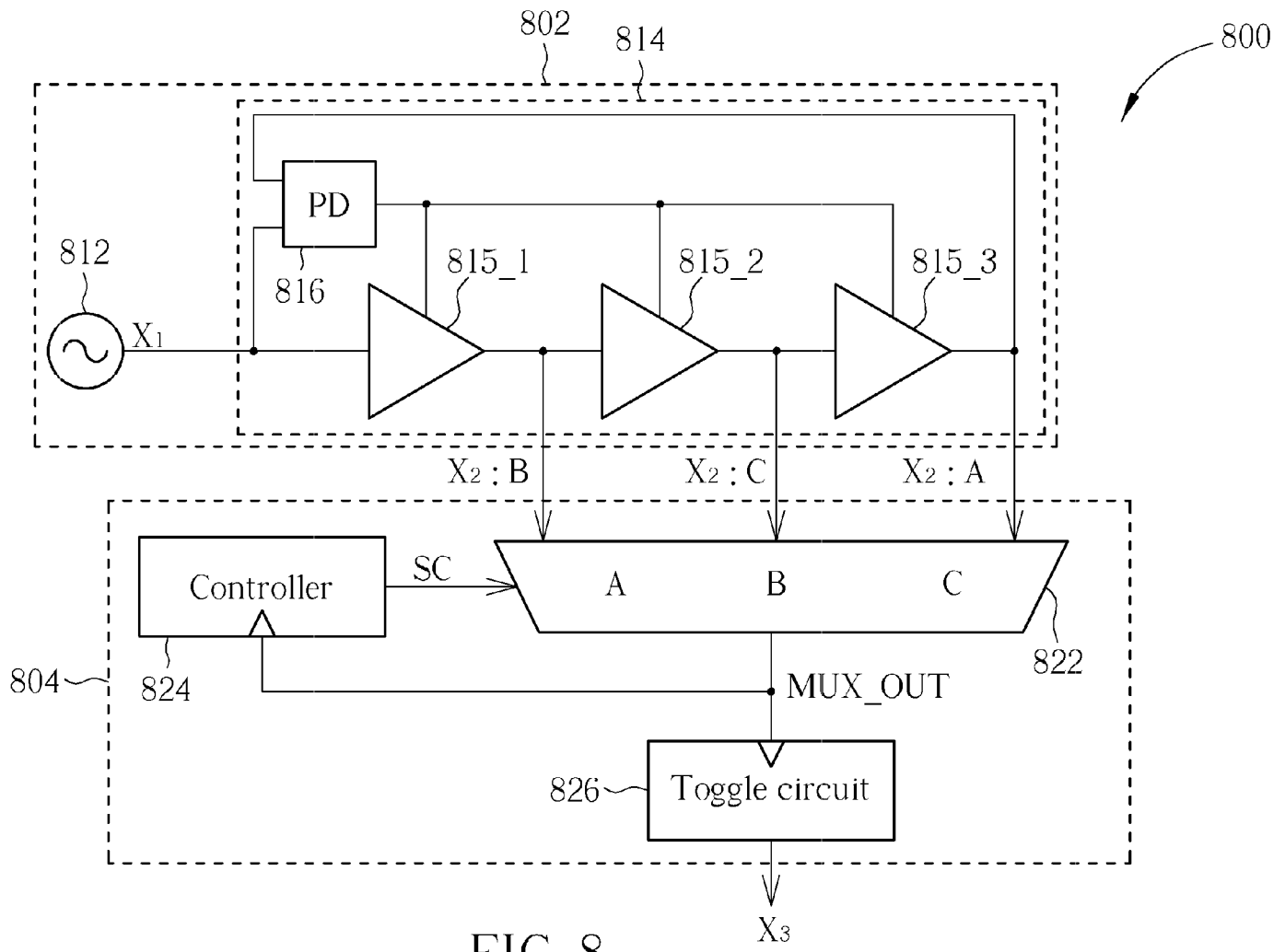


FIG. 8

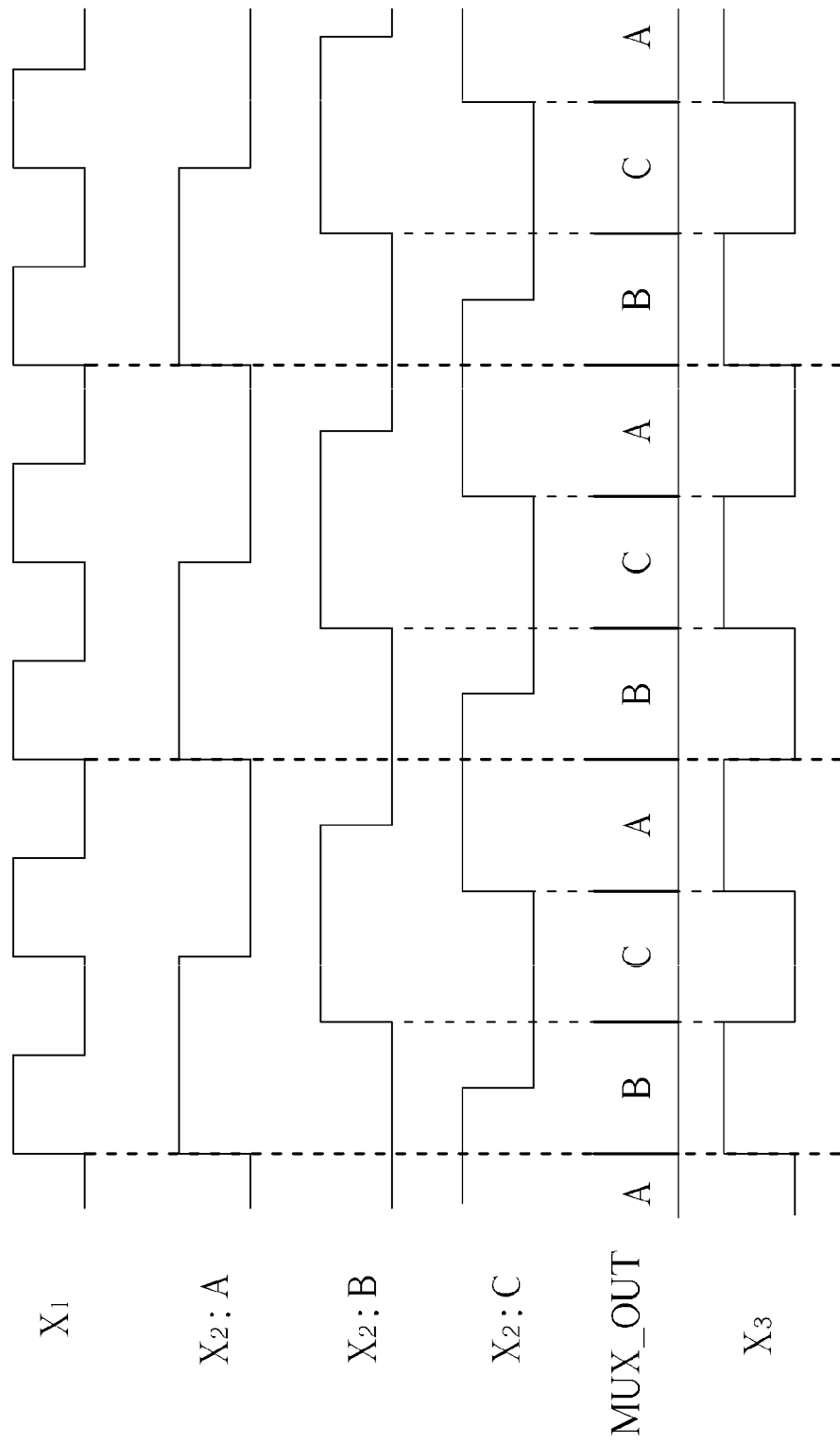


FIG. 9

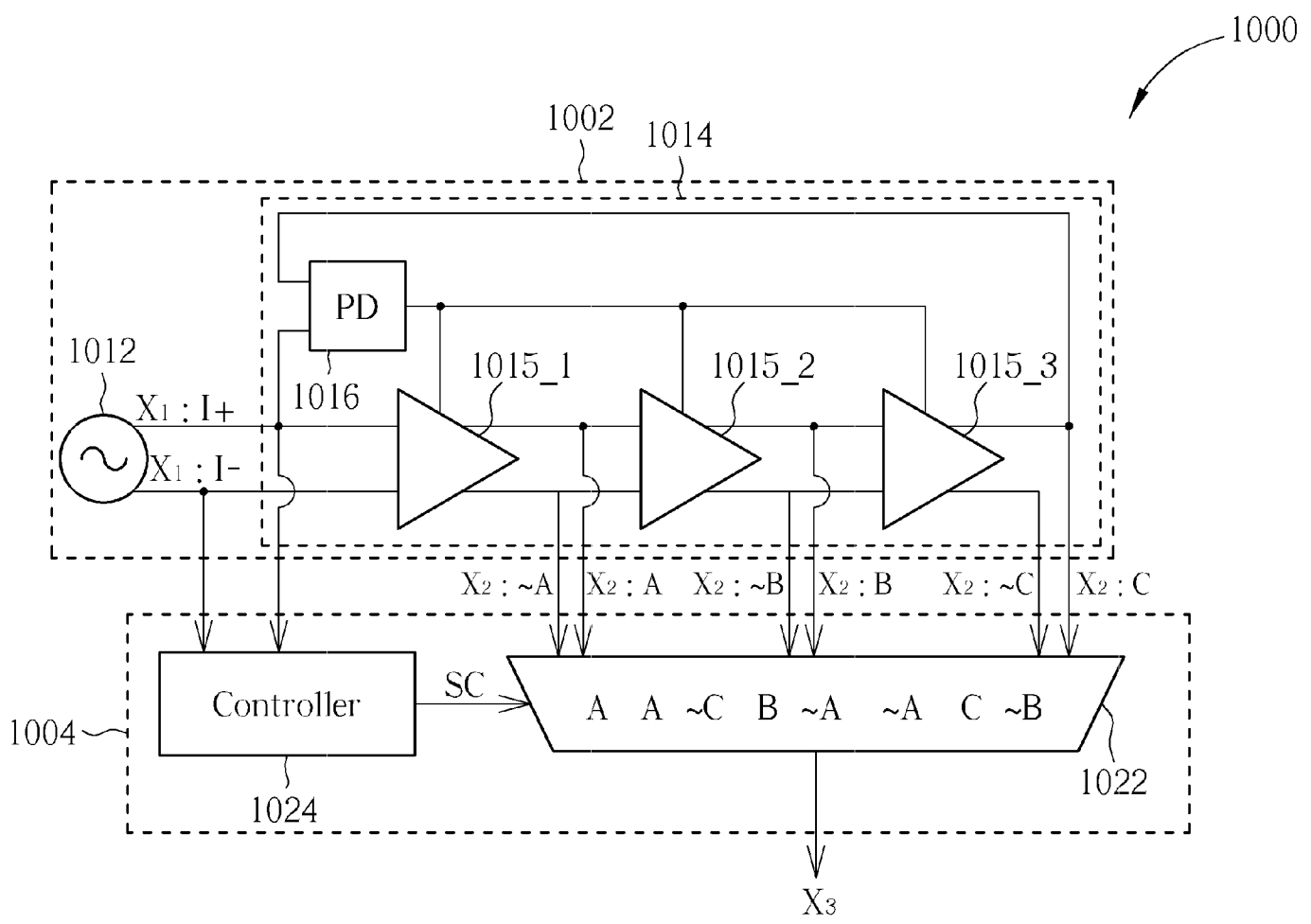


FIG. 10

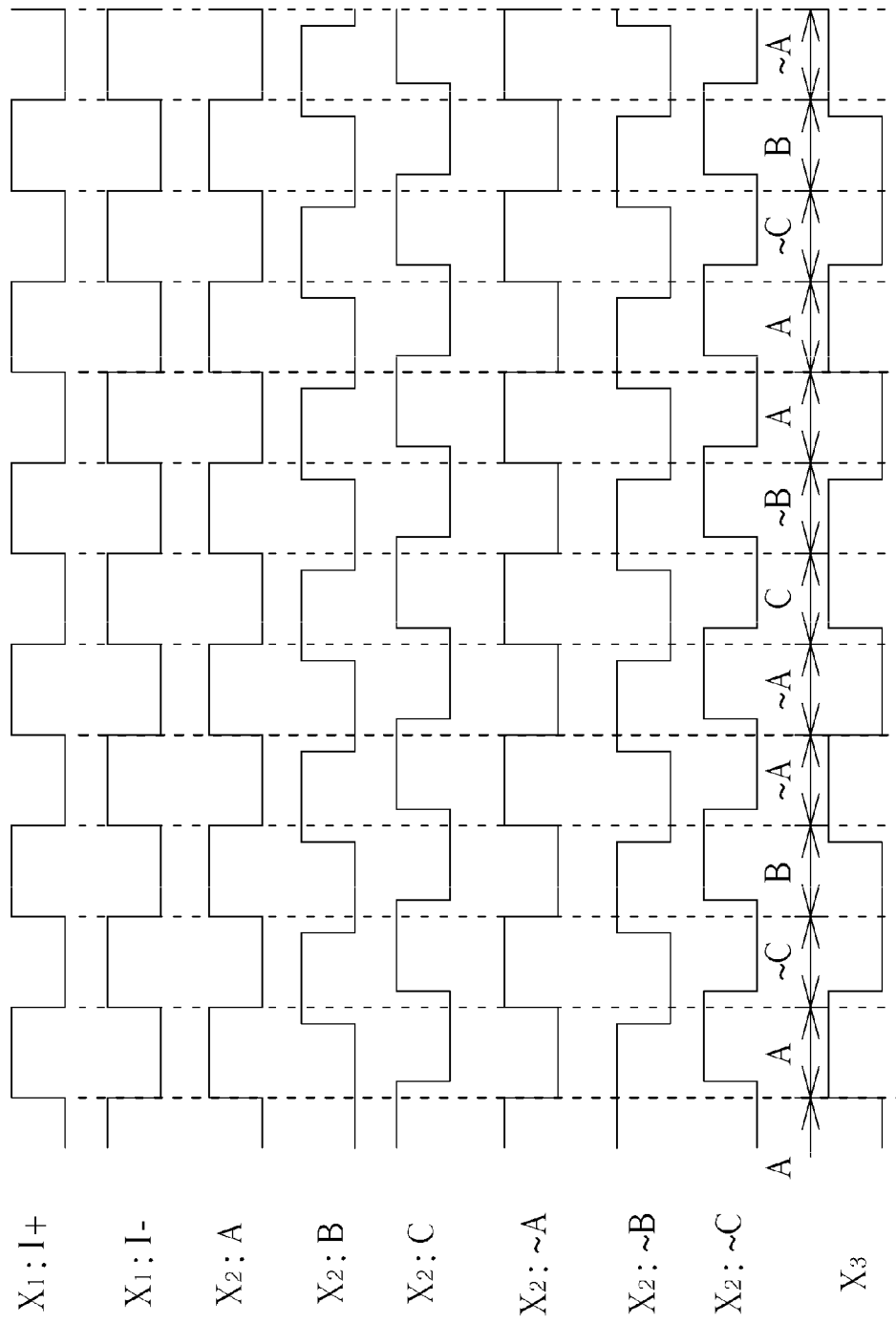


FIG. 11

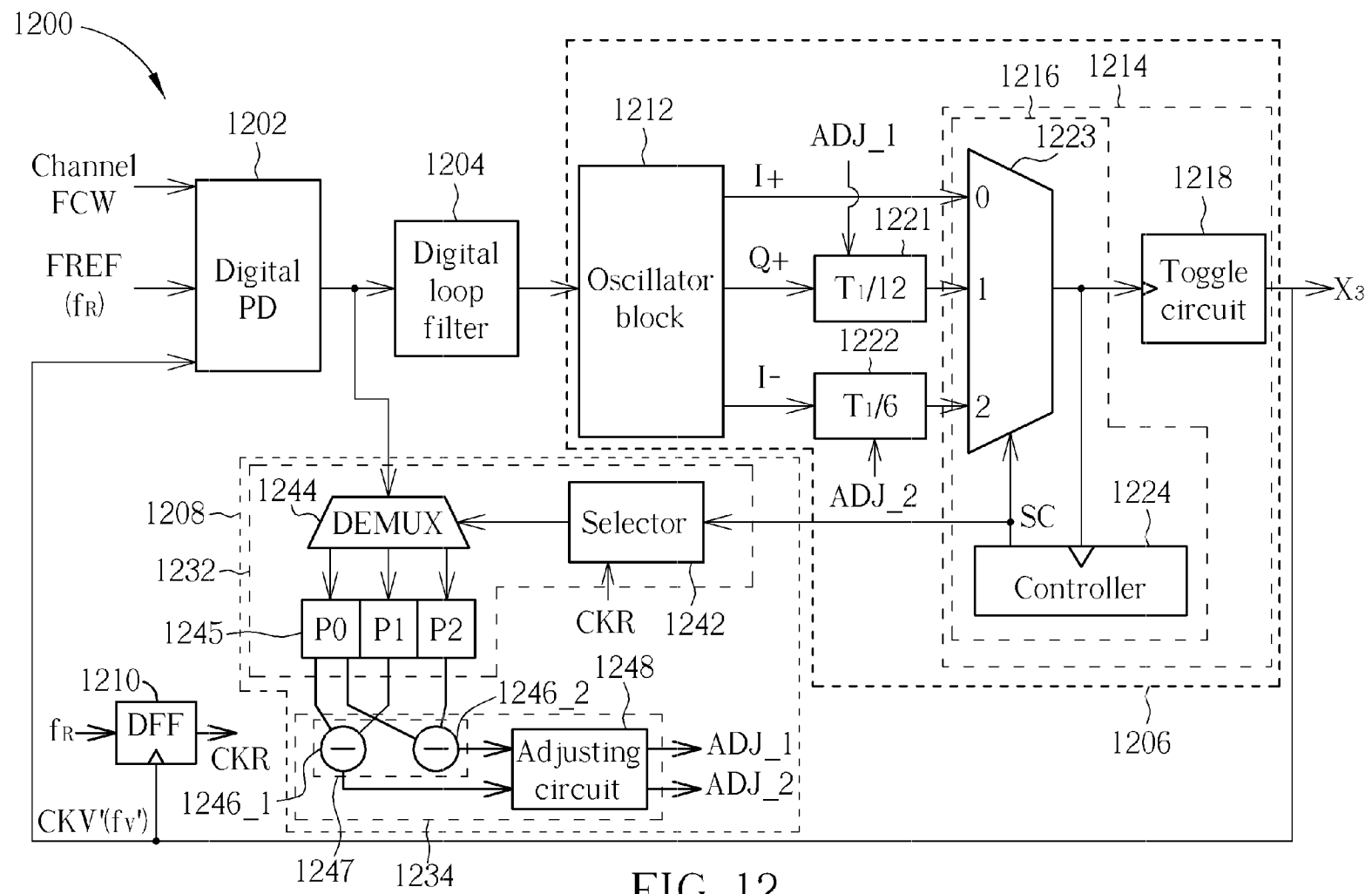


FIG. 12

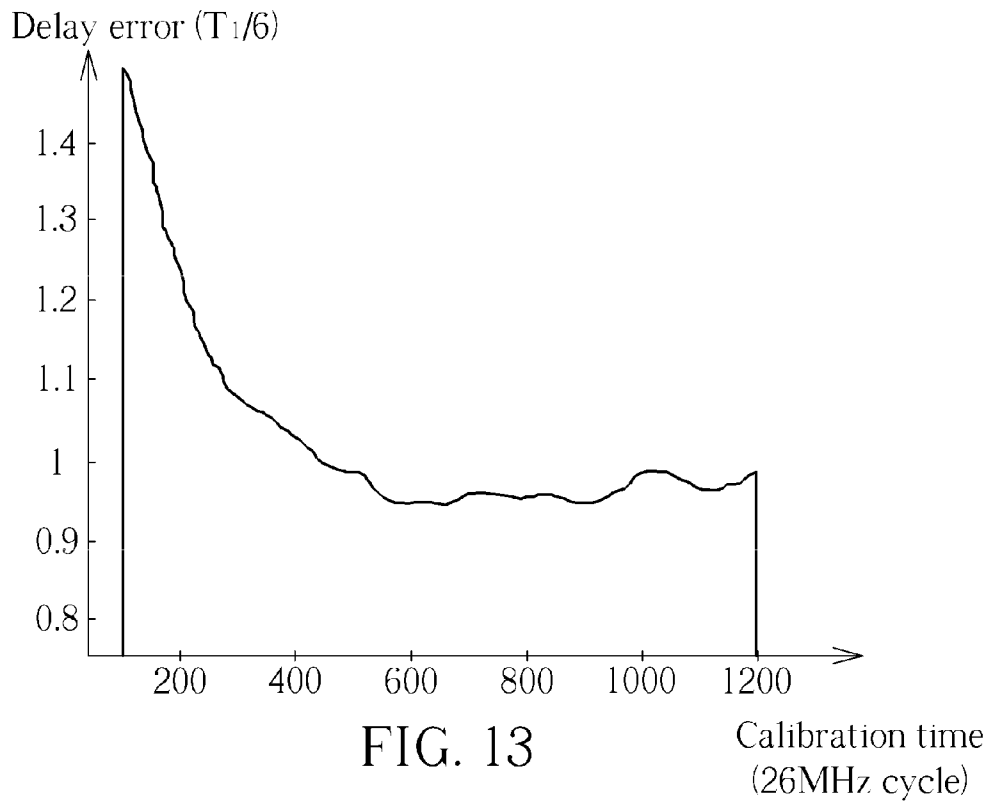


FIG. 13

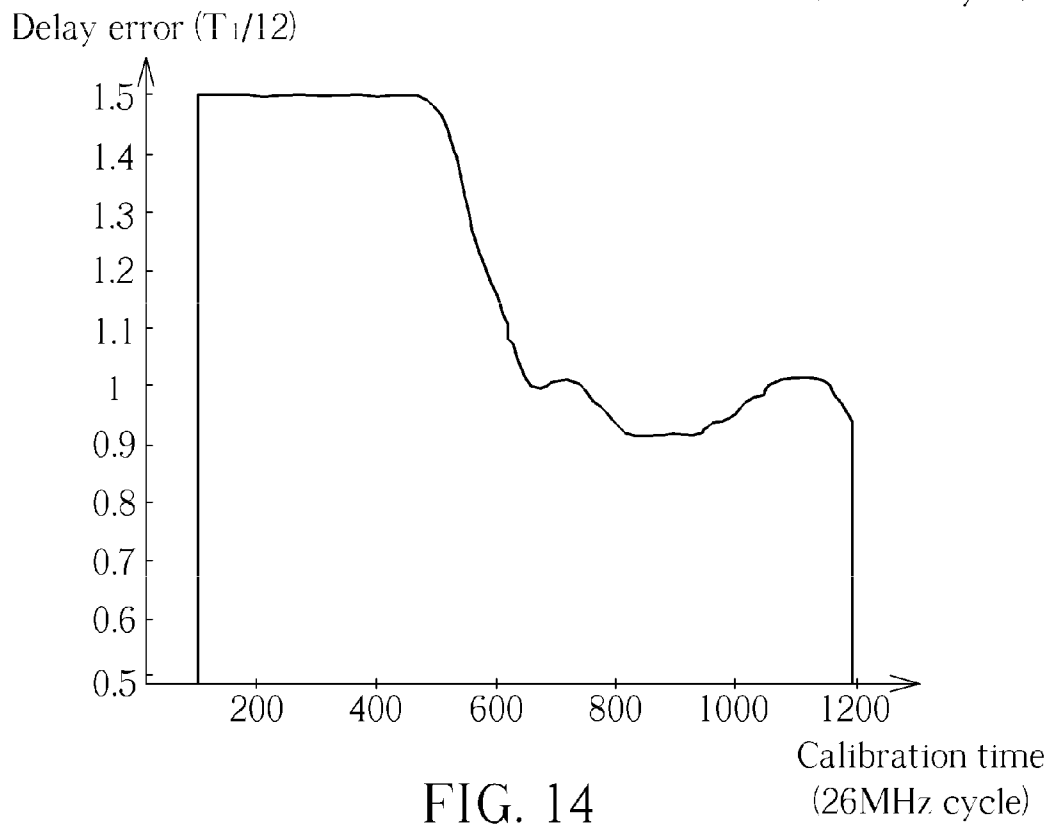


FIG. 14

1

**APPARATUS AND METHOD FOR
CALIBRATING TIMING MISMATCH OF
EDGE ROTATOR OPERATING ON MULTIPLE
PHASES OF OSCILLATOR**

CROSS REFERENCE TO RELATED
APPLICATIONS

This application claims the benefit of U.S. provisional application No. 61/368,015, filed on Jul. 27, 2010 and incorporated herein by reference.

BACKGROUND

The disclosed embodiments of the present invention relate to generating a clock signal, and more particularly, to a calibration apparatus for calibrating timing mismatch of an edge rotator operating on multiple phases of an oscillator and related calibration method thereof.

With the development of the semiconductor technology, more and more functions are allowed to be supported by a single electronic device. For example, a multi-radio combo-chip product may support a plurality of communication protocols. All of the radio-frequency (RF) oscillators should be properly designed to avoid conflicting with each other. Specifically, good isolation is required, and injection pulling among oscillators of different radios should be prevented. For example, the pulling of one LC-tank oscillator due to the strong harmonic of the power amplifier (PA) output should be avoided; besides, the pulling of one LC-tank oscillator due to a local oscillator (LO) signal or PA signal of another integrated radio should be avoided. Thus, it results in a complicated frequency plan and difficult local oscillator design, especially in analog circuits. In a case where the analog approach is employed, it requires conventional analog blocks such as frequency divider(s) and mixer(s) which limit the frequency offset ratio to a rational number, and requires an LC-tank for unwanted side-band spur suppression which inevitably consumes large area and current.

Thus, there is a need for an innovative non-harmonic clock generator design which may employ a digital realization for generating an output clock having non-harmonic relationship with an input clock through frequency translation, and also employ an autonomous calibration process to compensate for delay mismatch of the non-harmonic clock generator.

SUMMARY

In accordance with exemplary embodiments of the present invention, a calibration apparatus for calibrating timing mismatch of an edge rotator operating on multiple phases of an oscillator and related calibration method thereof are proposed.

According to a first aspect of the present invention, an exemplary calibration apparatus for calibrating timing mismatch of an edge rotator operating on multiple phases of an oscillator is disclosed. The exemplary calibration apparatus includes a capturing block and a calibrating block. The capturing block is arranged to capture phase error samples. The calibrating block is arranged to adjust timing of the edge rotator according to the phase error samples.

According to a second aspect of the present invention, an exemplary calibration method for calibrating timing mismatch of an edge rotator operating on multiple phases of an oscillator is disclosed. The exemplary calibration method

2

includes following steps: capturing phase error samples; and adjusting timing of the edge rotator according to the phase error samples.

According to a third aspect of the present invention, an exemplary clock generating apparatus is disclosed. The exemplary clock generating apparatus includes a clock generator and a calibration apparatus. The clock generator includes an oscillator block, a delay circuit, and an output block. The oscillator block is arranged to provide a first clock of multiple phases. The delay circuit is arranged to delay at least one of the multiple phases of the first clock to generate a second clock of multiple phases. The output block is arranged to receive the second clock and generate a third clock by selecting signals from the multiple phases of the second clock. The output block includes an edge rotator operating on the multiple phases of the second clock, wherein the third clock has non-harmonic relationship with the first clock. The calibration apparatus is arranged to calibrate timing mismatch of the edge rotator, and includes a capturing block arranged to capture phase error samples, and a calibrating block arranged to adjust timing of the edge rotator according to the phase error samples.

These and other objectives of the present invention will no doubt become obvious to those of ordinary skill in the art after reading the following detailed description of the preferred embodiment that is illustrated in the various figures and drawings.

BRIEF DESCRIPTION OF THE DRAWINGS

FIG. 1 is a block diagram illustrating a generalized clock generator according to an exemplary embodiment of the present invention.

FIG. 2 is a diagram illustrating a clock generator according to a first exemplary embodiment of the present invention.

FIG. 3 is a diagram illustrating a first clock, a second clock, a multiplexer output, a third clock, and a control signal shown in FIG. 2.

FIG. 4 is a diagram illustrating a clock generator according to a second exemplary embodiment of the present invention.

FIG. 5 is a diagram illustrating a first clock, a second clock, a fourth clock, a first multiplexer output, a third clock, and a second multiplexer output shown in FIG. 4.

FIG. 6 is a diagram illustrating a clock generator according to a third exemplary embodiment of the present invention.

FIG. 7 is a diagram illustrating a first clock, multiplexer outputs, a second clock, and a third clock shown in FIG. 6.

FIG. 8 is a diagram illustrating one implementation of a delay-locked loop (DLL) based non-harmonic clock generator according to an exemplary embodiment of the present invention.

FIG. 9 is a diagram illustrating a first clock, a second clock, a multiplexer output, and a third clock shown in FIG. 8.

FIG. 10 is a diagram illustrating another implementation of a DLL based non-harmonic clock generator according to an exemplary embodiment of the present invention.

FIG. 11 is a diagram illustrating a first clock, a second clock, and a third clock shown in FIG. 10.

FIG. 12 is a diagram illustrating an all-digital phase-locked loop (ADPLL) employing a non-harmonic clock generator and with delay calibration according to an exemplary embodiment of the present invention.

FIG. 13 is a diagram illustrating an exemplary delay calibration simulation result of a delay value set to one adjustable delay cell.

FIG. 14 is a diagram illustrating an exemplary delay calibration simulation result of a delay value set to another adjustable delay cell.

DETAILED DESCRIPTION

Certain terms are used throughout the description and following claims to refer to particular components. As one skilled in the art will appreciate, manufacturers may refer to a component by different names. This document does not intend to distinguish between components that differ in name but not function. In the following description and in the claims, the terms “include” and “comprise” are used in an open-ended fashion, and thus should be interpreted to mean “include, but not limited to . . .”. Also, the term “couple” is intended to mean either an indirect or direct electrical connection. Accordingly, if one device is electrically connected to another device, that connection may be through a direct electrical connection, or through an indirect electrical connection via other devices and connections.

In accordance with exemplary embodiment of the present invention, the frequency translation used for generating an output clock having non-harmonic relationship with an input clock is realized using an edge synthesizer based on edge selection and delay adjustment. For example, the new edge may be created by certain delay mechanism, such as a delay line or a delay-locked loop. The offset frequency may be programmable by selecting the edge transversal pattern and properly adjusting the delay values. Besides, the phase error/delay mismatch resulted from an incorrect delay value setting or other factor(s) may be detected and calibrated by the proposed autonomous calibration process. The proposed non-harmonic clock generator has a flexible frequency plan for spur avoidance, and is suitable for any frequency ratio needed. Moreover, the proposed non-harmonic clock generator has a simple circuit design due to the fact that an edge synthesizer for selection of various clock phases is employed to replace the analog mixer of the conventional analog approach that requires additional filtering to remove mixing spurious products and consumes large current and circuit area. The proposed non-harmonic clock generator may be employed in a wireless communication application, such as a multi-radio combo-chip product. However, this is not meant to be a limitation of the present invention. Any application using the proposed non-harmonic clock generator for providing an output clock having non-harmonic relationship with an input clock falls within the scope of the present invention. Technical features of the proposed non-harmonic clock generator are detailed as below.

FIG. 1 is a block diagram illustrating a generalized clock generator according to an exemplary embodiment of the present invention. The clock generator 100 includes an oscillator block 102, a delay circuit 104, and an output block 106. The oscillator block 102 is arranged to provide a first clock CLK1 of multiple phases $P_{11}, P_{12}, \dots, P_{1N}$. The delay circuit 104 is coupled to the oscillator block 102, and arranged to delay at least one of the multiple phases $P_{11}-P_{1N}$ of the first clock CLK1 to generate a second clock CLK2 of multiple phases $P_{21}, P_{22}, \dots, P_{2N}$. The output block 106 is coupled to the delay circuit 104, and arranged to receive the second clock CLK2 and generate a third clock CLK3 by selecting signals from the multiple phases $P_{21}-P_{2N}$ of the second clock CLK2. It should be noted that the third clock CLK3 has non-harmonic relationship with the first clock CLK1. By way of example, but not limitation, the non-harmonic relationship means clock edges of the third clock CLK3 are not statically aligned with that of the first clock CLK1, or the clock frequencies of the third clock CLK3 and the first clock CLK1 have a non-integer ratio. With the delay circuit 104 inserted between the oscillator block 102 and the output block 106 for delaying at least one of the phases provided by the oscillator block 102, desired phases needed by the output block 106 are

generated. The oscillator block 102 may be implemented by any available oscillator that is capable of providing a multi-phase clock output. In one exemplary design, the oscillator block 102 may be implemented by an LC-tank oscillator core followed by an edge divider. For example, the oscillator block 102 can comprise an oscillator circuit producing a differential signal followed by a divide-by-two circuit producing a quadrature clock output. Alternatively, the LC-tank oscillator can be followed by one or more delay cells. It needs to be emphasized that, in general, a delay can be achieved either by reclocking a signal (edge division falls into this category) or through propagation delay (delay elements, such as inverters, buffers, delay lines fall into this category). Thus, at least one of the multiple phases of the first clock is generated by clock edge division or by delaying another of the multiple phases of the first clock with a phase offset, where the phase offset is determined by a relationship between a frequency of the first clock CLK1 and a frequency of the third clock CLK3. Further details of the clock generator 100 are described as below.

Please refer to FIG. 2, which is a diagram illustrating a clock generator according to a first exemplary embodiment of the present invention. The implementation of the exemplary clock generator 200 is based on the structure shown in FIG. 1, and therefore has an oscillator block 202, a delay circuit 204, and an output block 206. In this exemplary embodiment, the oscillator block 202 is realized by an oscillator core 212 such as a digitally-controlled oscillator (DCO) with a tuning word input (not shown), and a frequency divider 214 arranged to provide a first clock X_1 with multiple phases according to an output of the oscillator core 212. As shown in the figure, the first clock X_1 includes quadrature clock signals I+, Q+, and I-, where the clock signals I+ and Q+ have a 90-degree phase difference therebetween, and the clock signals I+ and I- have a 180-degree phase difference therebetween. It should be noted that the implementation of the oscillator block 202 is not limited to a combination of the oscillator core 212 and the frequency divider 214. In an alternative design, the oscillator block 202 may be implemented by the oscillator core 212 for generating the clock signal I+ with a period equal to T_1 , and a plurality of delay cells with predetermined delay values (e.g.,

$$\left(e.g., \frac{T_1}{4} \text{ and } \frac{T_1}{2} \right)$$

applied to the clock signal I+ to thereby generate the clock signals Q+ and I-. The same objective of providing a multi-phase clock output is achieved.

The delay circuit 204 includes a first delay cell 222 and a second delay cell 224. Supposing that the period of the first clock X_1 is T_1 , the first delay cell 222 is arranged to apply a delay value

$$\frac{T_1}{12}$$

to the incoming clock signal Q+, and the second delay cell 224 is arranged to apply a delay value

$$\frac{T_1}{6}$$

5

to the incoming clock signal I-. Therefore, the second clock X₂ includes clock signals I+, Q+, and I- with different phases.

The output block 206 includes a multiplexer 232, a toggle circuit 234, and a controller 236. The multiplexer 232 is arranged to generate a multiplexer output MUX_OUT by multiplexing the multiple phases of the second clock X₂ according to a control signal SC. The controller 236 is arranged to receive the multiplexer output MUX_OUT and generate the control signal SC according to the multiplexer output MUX_OUT. For example, the controller 236 in this exemplary embodiment may be implemented by a modulo-3 counter. Therefore, due to the counter value sequence produced by the modulo-3 counter as the control signal SC, the multiplexer 232 would output the clock signals I+, Q+, and I- as its output, cyclically. The toggle circuit 234 is arranged to receive the multiplexer output MUX_OUT and generate a third clock X₃ according to the multiplexer output MUX_OUT. More specifically, the third clock X₃ is toggled (i.e., change its output logic level from "0" to "1" or vice versa) when the toggle circuit 234 is triggered by the multiplexer output MUX_OUT. For example, the toggle circuit 234 may be implemented by a T flip-flop which is triggered by rising edges of the multiplexer output MUX_OUT.

Please refer to FIG. 3 in conjunction with FIG. 2. FIG. 3 is a diagram illustrating the first clock X₁, the second clock X₂, the multiplexer output MUX_OUT, the third clock X₃, and the control signal SC. As can be seen from FIG. 3, there is a phase difference between the clock signals Q+ and Q+' due to the intentionally applied delay value

$$\frac{T_1}{12},$$

and there is a phase difference between the clock signals I- and I-' due to the intentionally applied delay value

$$\frac{T_1}{6}.$$

At time t₁, the control signal SC is updated to a counter value "1" due to the rising edge of the clock signal I+. Therefore, the multiplexer 232 outputs the clock signal Q+ as the multiplexer output MUX_OUT. At time t₂, the clock signal Q+ has a rising edge which triggers both of the toggle circuit 234 and the controller 236. Therefore, the third clock X₃ has a transition from a low logic level "0" to a high logic level "1", and the control signal SC is updated by a counter value "2". As a result, the multiplexer 232 outputs the clock signal I- as the multiplexer output MUX_OUT. At time t₃, the clock signal I- has a rising edge which triggers both the toggle circuit 234 and the controller 236. Therefore, the third clock X₃ has a transition from the high logic level "1" to the low logic level "0", and the control signal SC is updated by a counter value "0". As a result, the multiplexer 232 outputs the clock signal I+ as the multiplexer output MUX_OUT. As the following operation can be easily deduced by analogy, further description is omitted here for brevity. Considering a case where the frequency of the first clock X₁ is 1666.7 MHz (i.e., T₁=600 ps), the frequency of the generated third clock X₃ would be 2500.0 MHz (i.e., T₃=400 ps). To put it another way, the delay-line based non-harmonic clock generator shown in FIG. 2 is capable of making the frequencies of the input clock

6

(e.g., first clock X₁) and the output clock (e.g., third clock X₃) have a non-integer ratio equal to 2/3.

As shown in FIG. 2 and FIG. 3, when switching between two clock signals fed into the multiplexer 232 occurs, a transition from one logic level to another logic level occurs due to the clock signals having different logic levels, which may result in a switching glitch in the multiplexer output MUX_OUT under certain condition. To avoid this switching glitch issue, the present invention therefore proposes a modified non-harmonic clock generator with a multiplexer which is controlled to switch from one clock signal to another clock signal when the clock signals both have the same logic level. Please refer to FIG. 4, which is a diagram illustrating a clock generator according to a second exemplary embodiment of the present invention. The implementation of the exemplary clock generator 400 is also based on the structure shown in FIG. 1, and therefore has an oscillator block 402, a delay circuit 404, and an output block 406. The oscillator block 402 is arranged to generate a first clock X₁ including clock signals I+ and I- that have a 180-degree phase difference therebetween. The delay circuit 404 includes a first delay unit 412 and a second delay unit 414, wherein the first delay unit 412 has delay cells 413_1 and 413_2 included therein, and the second delay unit 414 has delay cells 415_1 and 415_2 included therein. The first delay unit 412 is arranged to delay the multiple phases (e.g., differential phases) of the first clock X₁. In this exemplary embodiment, each of the delay cells 413_1 and 413_2 is employed to apply a delay value T₂ to the incoming clock signal. Accordingly, the first delay unit 412 outputs clock signals I+' and I-' to the following signal processing stage (i.e., the second delay unit 414).

The second delay unit 414 is arranged to delay at least one of the multiple delayed phases generated from the first delay unit 412. In this exemplary embodiment, each of the delay cells 415_1 and 415_2 is employed to apply a delay value

$$\frac{T_1}{4}$$

to an incoming clock signal. Accordingly, the second delay unit 414 outputs a second clock X₂ including clock signals A, B, C, D with different phases. As can be seen from FIG. 4, the multiple phases of the second clock X₂ include delayed phases (e.g., clock signals B and D) generated from delay cells 415_1, 415_2 of the second delay unit 414 and delayed phases (e.g., clock signals A and C) generated from delay cells 413_1, 413_2 of the first delay unit 412.

The output block 406 is arranged to control selection of the multiple phases of the second clock X₂ by referring to at least the multiple phases of the first clock X₁. As shown in FIG. 4, the output block 406 includes a first multiplexer 422, a toggle circuit 424, and a controller 426. The first multiplexer 422 is arranged to generate a first multiplexer output MUX_OUT1 by multiplexing the multiple phases of the second clock X₂ according to a first control signal SC1. The toggle circuit 424 is arranged to receive the first multiplexer output MUX_OUT1 and generate a third clock X₃ according to the first multiplexer output MUX_OUT1. More specifically, the third clock X₃ is toggled when the toggle circuit 424 is triggered by the first multiplexer output MUX_OUT1. For example, the toggle circuit 424 may be implemented by a T flip-flop which is triggered by rising edges of the first multiplexer output MUX_OUT1.

In this exemplary embodiment, the controller 426 is arranged to receive the first multiplexer output MUX_OUT1

7

and the multiple phases of the first clock X_1 , and generate the first control signal SC1. As shown in FIG. 4, the controller 426 includes a third delay unit 432, a second multiplexer 434, a first control unit 436, and a second control unit 438. The third delay unit 432 is arranged to delay at least one of the multiple phases of the first clock X_1 . In this exemplary embodiment, the third delay unit 432 includes delay cells 433_1 and 433_2 each applying a delay value

$$\frac{T_1}{4}$$

to an incoming clock signal. Therefore, the third delay unit 432 outputs a fourth clock X_4 including clock signals A', B', C', D' with different phases. The second multiplexer 434 is arranged to generate a second multiplexer output MUX_OUT2 by multiplexing the multiple phases of the fourth clock X_4 according to a second control signal SC2, wherein the multiple phases received by the second multiplexer 434 include delayed phases (e.g., clock signals B' and D') generated from delay cells 433_1, 433_2 of the third delay unit 432 and the multiple phases (e.g., A' and C') of the first clock X_1 .

The first control unit 436 is arranged to receive the second multiplexer output MUX_OUT2 and accordingly generate the first control signal SC1 to the first multiplexer 422. Similarly, the second control unit 438 is arranged to receive the first multiplexer output MUX_OUT1 and accordingly generate the second control signal SC2 to the second multiplexer 434. For example, the first control unit 436 and the second control unit 438 may be implemented by modulo-4 counters, which output counter values as the desired control signals.

Please refer to FIG. 5 in conjunction with FIG. 4. FIG. 5 is a diagram illustrating the first clock X_1 , the second clock X_2 , the fourth clock X_4 , the first multiplexer output MUX_OUT1, the third clock X_3 , and the second multiplexer output MUX_OUT2. As can be seen from FIG. 5, there is a phase difference between the clock signals I+ and A due to the intentionally applied delay value T_2 , there is a phase difference between the clock signals I+ and B due to the intentionally applied delay value

$$T_2 + \frac{T_1}{4},$$

there is a phase difference between the clock signals I- and C due to the intentionally applied delay value T_2 , and there is a phase difference between the clock signals I- and D due to the intentionally applied delay value

$$T_2 + \frac{T_1}{4}.$$

Regarding the fourth clock X_4 , the clock signal A' is the same as the clock signal I+, and the clock signal C' is the same as the clock signal I-; however, there is a phase difference between the clock signals A' and B' due to the intentionally applied delay value

$$\frac{T_1}{4},$$

8

and there is a phase difference between the clock signals C' and D' due to the intentionally applied delay value

$$\frac{T_1}{4}.$$

Suppose that the first control signal SC1 is initialized by a counter value "0", and the second control signal SC2 is initialized by a counter value "0". Thus, before time t_1 , the first multiplexer 422 outputs the clock signal A as the first multiplexer output MUX_OUT1, and the second multiplexer 434 outputs the clock signal D' as the second multiplexer output MUX_OUT2. At time t_1 , the second control unit 438 and the toggle circuit 424 are both triggered by the rising edge of the clock signal A. Therefore, the third clock X_3 has a transition from a low logic level "0" to a high logic level "1", and the second control signal SC2 is updated by a counter value "1". Therefore, the second multiplexer 434 now outputs the clock signal A' as the second multiplexer output MUX_OUT2. Please note that both of the clock signals D' and A' have the same logic level "1" at the multiplexer switching timing (i.e., t_1) such that the unwanted switching glitch is avoided.

At time t_2 , the first control unit 436 is triggered by the rising edge of the clock signal A'. Therefore, the first control signal SC1 is updated by a counter value "1", and the first multiplexer 422 now outputs the clock signal B as the first multiplexer output MUX_OUT1. Please note that both of the clock signals A and B have the same logic level "0" at the multiplexer switching timing (i.e., t_2) such that the unwanted switching glitch is avoided. At time t_3 , the second control unit 438 and the toggle circuit 424 are both triggered by the rising edge of the clock signal B. Therefore, the third clock X_3 has a transition from the high logic level "1" to the low logic level "0", and the second control signal SC2 is updated by a counter value "2". The second multiplexer 434 now outputs the clock signal B' as the second multiplexer output MUX_OUT2. Please note that both of the clock signals A' and B' have the same logic level "1" at the multiplexer switching timing (i.e., t_3) such that the unwanted switching glitch is avoided. As the following operation can be easily deduced by analogy, further description is omitted here for brevity.

As can be seen from FIG. 5, the delay-line based non-harmonic clock generator shown in FIG. 4 is capable of making the frequencies of the input clock (e.g., the first clock X_1) and the output clock (e.g., the third clock X_3) to be a non-integer ratio equal to 5/2. It should be noted that $\tau_2 < T_1$, and the value of τ_2 may comfortably separate the timing of the first and second control units 436 and 438. As the first multiplexer output MUX_OUT1 of the first multiplexer 422 is used to control the input selection of the second multiplexer 434 and the second multiplexer output MUX_OUT2 of the second multiplexer 434 is used to control the input selection of the first multiplexer 422, the switching glitch issue is solved.

The clock generator configuration shown in FIG. 4 is capable of avoiding occurrence of the switching glitch. However, this is for illustrative purposes only, and is not meant to be a limitation of the present invention. Using other clock generator configuration to solve the switching glitch issue is also feasible. Please refer to FIG. 6, which is a diagram illustrating a clock generator according to a third exemplary embodiment of the present invention. The implementation of the exemplary clock generator 600 is also based on the structure shown in FIG. 1, and therefore has an oscillator block 602, a delay circuit 604, and an output block 606. In this exemplary embodiment, the oscillator block 602 is realized

by an oscillator core (e.g., a DCO) **612**, a frequency divider **614**, and a swapping circuit **616**. The frequency divider **614**, which could be realized as an edge divider, is arranged to provide a first clock X_1 with multiple (e.g., quadrature) phases according to an output of the oscillator core **612**. As shown in the figure, the first clock X_1 includes clock signals I+, Q+, I-, and Q-, where the clock signals I+ and Q+ have a 90-degree phase difference therebetween, the clock signals I- and Q- have a 90-degree phase difference therebetween, the clock signals I+ and I- have a 180-degree phase difference therebetween, and the clock signals Q+ and Q- have a 180-degree phase difference therebetween.

The swapping circuit **616** is arranged to output selected phases by alternately selecting a first set of phases from the multiple phases of the first clock X_1 and a second set of phases from the multiple phases of the first clock X_1 . In this exemplary embodiment, the swapping circuit **616** includes a toggle circuit **617** and a plurality of multiplexers **618** and **619**. The toggle circuit **617** may be implemented by a T flip-flop, which is triggered by rising edges of the clock signal I+. Therefore, during one period of the clock signal I+, the multiplexers **618** and **619** output selected phases by selecting the clock signals I+ and Q+ as respective multiplexer outputs I and Q, and during another period of the clock signal I+, the multiplexers **618** and **619** update the selected phases by selecting the clock signals I- and Q- as respective multiplexer outputs I and Q.

The swapping circuit **616** outputs the selected phases of the multiple phases of the first clock X_1 to the following delay circuit **604**. In this exemplary embodiment, the delay circuit **604** includes a first delay cell **622** and a second delay cell **624**. Supposing that the period of the first clock X_1 is T_1 , the first delay cell **622** is arranged to apply a delay value

$$\frac{T_1}{6}$$

to the incoming multiplexer output I, and the second delay cell **624** is arranged to apply a delay value

$$\frac{T_1}{12}$$

to the incoming multiplexer output Q. As shown in FIG. 6, the second clock X_2 includes clock signals I, I', and Q' with different phases.

The output block **606** includes a multiplexer **632** and a controller **636**. The multiplexer **632** is arranged to generate a third clock X_3 by multiplexing the multiple phases of the second clock X_2 according to a control signal SC. The controller **636** is arranged to receive the third clock X_3 and generate the control signal SC according to the third clock X_3 . For example, the controller **636** in this exemplary embodiment may be implemented by a modulo-3 counter. Therefore, due to the counter value sequence produced from the modulo-3 counter, the multiplexer **632** would output the clock signals Q', I', and I as its output, cyclically.

Please refer to FIG. 7 in conjunction with FIG. 6. FIG. 7 is a diagram illustrating the first clock X_1 , the multiplexer outputs I and Q, the second clock X_2 , and the third clock X_3 . As can be seen from FIG. 7, the multiplexer output I is set by the clock signals I- and I+, alternately; and the multiplexer output Q is set by the clock signals Q- and Q+, alternately. Besides, there is a phase difference between the clock signals Q and Q' due to the intentionally applied delay value

$$\frac{T_1}{12},$$

and there is a phase difference between the clock signals I and I' due to the intentionally applied delay value

$$\frac{T_1}{6}.$$

The controller **636** may be a modulo-3 counter triggered by rising edges of the third clock X_3 . Thus, the multiplexer **632** outputs the clock signals Q', I' and I, cyclically.

Initially, the multiplexers **618** and **619** output clock signals I+ and Q+, respectively; and the multiplexer **632** outputs the clock signal Q' as the third clock X_3 due to the control signal SC set by a counter value "0". At time t_1 , the toggle circuit **617** is triggered by the rising edge of the clock signal I+. Therefore, the multiplexers **618** and **619** output clock signals I- and Q-, respectively. At time t_2 , the third clock X_3 has a transition from the low logic level "0" to the high logic level "1", and the controller **636** is triggered by the rising edge of the clock signal Q'. Therefore, the control signal SC is updated by a counter value "1". Accordingly, the clock signal I' is selected by the multiplexer **632** to act as its output. As shown in FIG. 7, both of the clock signals Q' and I' have the same logic level "1" at the multiplexer switching timing (i.e., just after t_2) such that the unwanted switching glitch is avoided. At time t_3 , the third clock X_3 has a transition from the low logic level "0" to the high logic level "1", and the controller **636** is triggered by the rising edge of the clock signal I'. Therefore, the control signal SC is updated by a counter value "2". Accordingly, the clock signal I is selected by the multiplexer **632** to act as its output. As shown in FIG. 7, both of the clock signals I' and I have the same logic level "1" at the multiplexer switching timing (i.e., just after t_3) such that the unwanted switching glitch is avoided. As the following operation can be easily deduced by analogy, further description is omitted here for brevity.

As can be seen from FIG. 7, the delay-line based non-harmonic clock generator shown in FIG. 6 is capable of making the frequencies of the input clock (e.g., the first clock X_1) and the output clock (e.g., the third clock X_3) have a non-integer ratio equal to 2/3 which is different from that of the aforementioned clock generators **200** and **400**. In other words, with a proper design of the clock generator, any non-integer ratio of input clock's frequency to output clock's frequency can be realized.

In above exemplary embodiments, various designs of a delay-line based non-harmonic clock generator for generating an output clock having non-harmonic relationship with an input clock are proposed. However, this is for illustrative purposes only, and is not meant to be a limitation of the present invention. That is, using other clock generator configurations for generating an output clock having non-harmonic relationship with an input clock is feasible. Please refer to FIG. 8, which is a diagram illustrating one implementation of a delay-locked loop (DLL) based non-harmonic clock generator according to an exemplary embodiment of the present invention. The clock generator **800** includes an oscillator circuit **812**, a delay circuit (e.g., a DLL **814**) that uniformly interpolates between the oscillator circuit edges, and an output block **804**. Note, the oscillator circuit **812** and delay circuit **814** can be conveniently arranged to form an oscillator/interpolator block **802**. The oscillator/interpolator block

802 is arranged to provide a second clock X_2 of multiple phases. In this exemplary embodiment, the second clock X_2 includes clock signals A, B, and C with different phases. As shown in FIG. 8, the oscillator/interpolator block **802** includes the oscillator circuit (e.g., a DCO) **812** arranged to provide a first clock X_1 , and the DLL **814** arranged to generate the second clock X_2 according to the first clock X_1 . The DLL **814** includes a plurality of delay elements **815_1**, **815_2**, and **815_3**, and a phase detector (PD) **816** arranged to compare the phase of one DLL output (e.g., the clock signal A) to the input clock (e.g., the first clock X_1) to generate an error signal which is then fed back as the control to all of the delay elements **815_1-815_3**. Please note that the number of delay elements implemented in the DLL **814** is adjustable, depending upon the actual design requirement/consideration. As a person skilled in the art should readily understand details of the DLL **814**, further description is omitted here for brevity.

The output block **804** is arranged to receive the second clock X_2 and generate a third clock X_3 by selecting signals from the multiple phases of the second clock X_2 . It should be noted that the third clock X_3 has non-harmonic relationship with the first clock X_1 . In this exemplary embodiment, the output block **804** includes a multiplexer **822**, a controller **824**, and a toggle circuit **826**. The multiplexer **822** is arranged to generate a multiplexer output MUX_OUT by multiplexing the multiple phases of the second clock X_2 according to a control signal SC. The controller **824** is arranged to receive the multiplexer output MUX_OUT and generate the control signal SC according to the multiplexer output MUX_OUT. The toggle circuit **826** is arranged to receive the multiplexer output MUX_OUT and generate the third clock X_3 according to the multiplexer output MUX_OUT. More specifically, the third clock X_3 is toggled when the toggle circuit **826** is triggered by the multiplexer output MUX_OUT. For example, the toggle circuit **826** may be implemented by a T flip-flop which is triggered by rising edges of the multiplexer output MUX_OUT. Note that the toggle circuit can conveniently include circuitry to generate multiple phases of its output clock.

Please refer to FIG. 9 in conjunction with FIG. 8. FIG. 9 is a diagram illustrating the first clock X_1 , the second clock X_2 , the multiplexer output MUX_OUT, and the third clock X_3 . As shown in the figure, the multiplexer output MUX_OUT is cyclically set by the clock signals A, B, and C under the control of the controller (e.g., a modulo-3 counter) **824**. As a person skilled in the art can readily understand the generation of the third clock X_3 shown in FIG. 9 after reading above paragraphs directed to FIG. 3, further description is omitted here for brevity. Considering a case where the frequency of the first clock X_1 is 3.2 GHz, the frequency of the generated third clock X_3 would be 2.4 GHz. To put it another way, the DLL based non-harmonic clock generator shown in FIG. 8 is capable of making the frequencies of the input clock (e.g., the first clock X_1) and the output clock (e.g., the third clock X_3) have a non-integer ratio equal to 4/3.

Please refer to FIG. 10, which is a diagram illustrating another implementation of a DLL based non-harmonic clock generator according to an exemplary embodiment of the present invention. The clock generator **1000** includes an oscillator circuit **1012**, a delay circuit (e.g., a DLL **1014**) that generates multiple edges through interpolation of its input clock, and an output block **1004**. The oscillator block **1012** and the delay circuit (e.g., the DLL **1014**) are conveniently combined into a single oscillator/interpolator block **1002**. The oscillator/interpolator block **1002** is arranged to provide a second clock X_2 of multiple phases. In this exemplary embodiment, the second clock X_2 includes clock signals A,

$\sim A$, B, $\sim B$, C, and $\sim C$ with different phases. More specifically, the clock signals A and $\sim A$ are out of phase, the clock signals B and $\sim B$ are out of phase, and the clock signals C and $\sim C$ are out of phase. As shown in the figure, the oscillator/interpolator block **1003** includes the oscillator circuit (e.g., a DCO) **1012** arranged to provide a first clock X_1 including clock signals I+ and I- that are out of phase (i.e., 108 degrees apart), and the DLL **1014** arranged to generate (through interpolation) the aforementioned second clock X_2 according to the first clock X_1 , wherein the DLL **1014** includes a plurality of delay elements **1015_1**, **1015_2**, and **1015_3**, and a phase detector (PD) **1016** arranged to compare the phase of one DLL output (e.g., the clock signal C) to the input clock (e.g., the clock signal I+) to generate an error signal which is then fed back as the control to all of the delay elements **1015_1-1015_3**. As a person skilled in the art should readily understand details of the DLL **1014**, further description is omitted here for brevity.

The output block **1004** is arranged to receive the second clock X_2 and generate a third clock X_3 by selecting signals from the multiple phases of the second clock X_2 . It should be noted that the third clock X_3 has non-harmonic relationship with the first clock X_1 . In this exemplary embodiment, the output block **1004** includes a multiplexer **1022** and a controller **1024**. The multiplexer **1022** is arranged to generate the third clock X_3 by multiplexing the multiple phases of the second clock X_2 according to a control signal SC. The controller **1024** is arranged to receive the first clock X_1 and generate the control signal SC according to the first clock X_1 . For example, the controller **1024** updates the control signal SC at rising edges of the clock signals I+ and I-.

Please refer to FIG. 11 in conjunction with FIG. 10. FIG. 11 is a diagram illustrating the first clock X_1 , the second clock X_2 , and the third clock X_3 . As shown in the figure, the multiplexer output (i.e., the third clock X_3) is cyclically set by the clock signals A, $\sim C$, B, $\sim A$, $\sim A$, C, and $\sim B$ under the control of the controller **1024**. As a person skilled in the art can readily understand the generation of the third clock X_3 shown in FIG. 11 after reading above paragraphs, further description is omitted here for brevity. Considering a case where the frequency of the first clock X_1 is 3.2 GHz, the frequency of the generated third clock X_3 would be 2.4 GHz. To put it another way, the DLL based non-harmonic clock generator shown in FIG. 8 is capable of making the frequencies of the input clock (e.g., the first clock X_1) and the output clock (e.g., the third clock X_3) have a non-integer ratio equal to 4/3.

As mentioned above, the intentionally applied delay values are used to create the desired phases/edges needed by the following output block. However, the clock signals to be multiplexed may have phase errors which would affect the actual waveform of the output clock generated from the exemplary non-harmonic clock generator proposed in the present invention. Thus, there is a need for calibrating the delay values to compensate for the delay mismatch. Please refer to FIG. 12, which is a diagram illustrating an all-digital phase-locked loop (ADPLL) employing a non-harmonic clock generator and with delay calibration according to an exemplary embodiment of the present invention. The ADPLL **1200** with delay calibration includes a digital phase detector **1202**, a digital loop filter **1204**, a delay-line based non-harmonic clock generator **1206**, a calibration apparatus **1208**, and a D flip-flop (DFF) **1210**. For clarity and simplicity, only the components pertinent to the technical features of the present invention are shown in FIG. 12. That is, in another exemplary embodiment, the ADPLL **1200** may have addi-

tional components included therein. The general ADPLL architecture is well known in the art.

By way of example, but not limitation, the delay-line based non-harmonic clock generator **1206** may be implemented using the configuration shown in FIG. 2. Therefore, the delay-line based non-harmonic clock generator **1206** includes an oscillator block **1212** and an edge synthesizer **1214** having an edge rotator **1216** and a toggle circuit **1218**, wherein the edge rotator **1216** includes a plurality of adjustable delay cells **1221** and **1222** controlled by calibration signals **ADJ_1** and **ADJ_2**, a multiplexer **1223**, and a controller (e.g., a modulo-3 counter) **1224**. As a person skilled in the art can readily understand the operation of the delay-line based non-harmonic clock generator **1206** after reading above paragraphs directed to the clock generator **200** shown in FIG. 2, further description is omitted here for brevity.

The DFF **1210** is implemented for generating a clock signal **CKR** used by internal components of the ADPLL **1200** according to a frequency f_R of a clock reference **FREF** and a frequency f_V' of a feedback clock **CKV'**. The digital PD **1202** outputs phase error samples derived from a variable phase corresponding to an output of the edge rotator **1216** and a reference phase. For example, the reference phase is derived from the channel frequency command word (**FCW**) and the clock reference **FREF** fed into the digital PD **1202**, and the variable phase is derived from the feedback clock **CKV'** and the clock reference **FREF** fed into the digital PD **1202**. The digital loop filter **1204** refers to the phase error samples generated from the digital PD **1202** to generate a tuning word signal to the oscillator block **1212**, which may have a DCO included therein. As a person skilled in the art should readily understand details of the digital PD **1202**, the digital loop filter **1204**, and the DFF **1210**, further description is omitted here for brevity.

The calibration apparatus **1208** is implemented for calibrating timing mismatch of the edge rotator **1216** operating on multiple phases of an oscillator (e.g., the oscillator block **1212**, which may be implemented by a combination of an oscillator core and a frequency divider or a combination of an oscillator core and delay cells). The calibration apparatus **1208** includes a capturing block **1232** and a calibrating block **1234**. The capturing block **1232** is arranged to capture phase error samples generated by the digital PD **1202**. The calibrating block **1234** is arranged to adjust timing of the edge rotator **1216** by generating the calibration signal **ADJ_1/ADJ_2** to the adjustable delay cell **1221/1222** according to the phase error samples. It should be noted that the ADPLL might need to be configured to operate under restricted **FCW** values. More particularly, the fractional part of **FCW** value needs to correspond to an inverse of the period of the edge rotator. For example, the multiplexer **1223** has three inputs and its rotational period is three. Hence, the fractional value of **FCW** should be $\frac{1}{3}$ or $\frac{2}{3}$.

In this exemplary embodiment, the capturing block **1232** includes a selector **1242**, a demultiplexer (**DEMUX**) **1244**, and a storage **1245**. The number of phase error samples to be captured is equal to periodicity of the edge rotator **1216**. For example, the multiplexer **1223** selects a clock input with no delay value intentionally applied thereto, a clock input with a first delay value intentionally applied thereto, cyclically. As the switching sequence of the multiplexer **1223** is known beforehand, the occurrence of the phase error samples generated from the digital PD **1202** is predictable. Based on such an observation, when the control signal **SC** is set by a counter value "0", the selector **1242** controls the **DEMUX** **1244** to store a current phase error sample **P0** cor-

responding to the clock input with no delay value applied thereto into the storage **1245**; when the control signal **SC** is set by a counter value "1", the selector **1242** controls the **DEMUX** **1244** to store a current phase error sample **P1** corresponding to the clock input with the first delay value intentionally applied thereto into the storage **1245**; and when the control signal **SC** is set by a counter value "2", the selector **1242** controls the **DEMUX** **1244** to store a current phase error sample **P2** corresponding to the clock input with the second delay value intentionally applied thereto into the storage **1245**.

Regarding the calibrating block **1234**, it includes a calculating circuit **1247** and an adjusting circuit **1248**. The calculating circuit **1247** is arranged to estimate the timing mismatch of the edge rotator **1216** according to the phase error samples buffered in the storage **1245**, and has a plurality of subtractors **1246_1** and **1246_2** implemented for estimating phase errors. As the clock input with no delay value intentionally applied thereto may be regarded as a clock input having a correct delay value, the phase error sample **P0** may serve as an ideal one. Thus, the subtractor **1246_1** calculates a difference between the phase error samples **P1** and **P0** to represent a phase error of the clock input with the first delay value intentionally applied thereto, and the subtractor **1246_2** calculates a difference between the phase error samples **P2** and **P0** to represent a phase error of the clock input with the second delay value intentionally applied thereto. To put it another way, the calculating circuit **1247** estimates the timing mismatch of the edge rotator **1216** by calculating a difference between a phase error sample (e.g., **P0**) of the phase error samples and each of remaining phase error samples (e.g., **P1** and **P2**).

The adjusting circuit **1248** is arranged to adjust the timing of the edge rotator **1216** according to an output of the calculating circuit **1247**. More specifically, the adjusting circuit **1248** controls the adjustable delay cells **1221** and **1222** to adjust the delay values by generating the calibrating signals **ADJ_1** and **ADJ_2** to the adjustable delay cells **1221** and **1222**. Please note that the calibrating signal **ADJ_1/ADJ_2** generated from the adjusting circuit **1248** does not change the delay value set to the adjustable delay cell **1221/1222** when the estimated phase error is zero or negligible. Moreover, the adjusting circuit **1248** may be equipped with accumulation functionality and follow a least mean square (**LMS**) or steepest descent algorithm, which is generally well known in the art. Thus, the estimated phase errors generated from the subtractor **1246_1** are accumulated to alleviate the noise interference, and an accumulated phase error is referenced for controlling the calibration signal **ADJ_1**. Similarly, the estimated phase errors generated from the subtractor **1246_2** are also accumulated to alleviate the noise interference, and an accumulated phase error is referenced for controlling the calibration signal **ADJ_2**. This also obeys the spirit of the present invention.

In a case where the clock signal **I+** generated from the oscillator block **1212** may have no phase error presented therein, the corresponding captured phase error sample may equal zero. Therefore, the calculating circuit **1247** may be omitted, and the adjusting circuit **1248** directly refers to the phase error samples **P1** and **P2** to set the calibration signals **ADJ_1** and **ADJ_2**. This alternative design also falls within the scope of the present invention.

The calibrating block **1208** does not stop adjusting/calibrating the delay value(s) until the phase errors are found negligible. As the delay calibration is based on the actually captured phase error samples rather than predicted phase errors, the calibrating block **1208** therefore stochastically

15

reduces the timing mismatch of the edge rotator **1216** through the adaptive delay mismatch calibration, as shown in FIG. **13** and FIG. **14** illustrating exemplary delay calibration simulation results of delay values respectively set to the adjustable delay cells **1222** and **1221**. In the exemplary delay calibrations shown in FIG. **13** and FIG. **14**, an offsetted frequency is $2451 \cdot (\frac{4}{3})$ MHz, a central frequency is 2451 MHz, and a reference clock frequency is 26 MHz. Thus, the FCW value may be set by 125.6667, where an integer part (i.e., 125) is derived from a floor value of $2451 \cdot (\frac{4}{3}) / 26$ (i.e., $\lfloor 2451 \cdot (\frac{4}{3}) / 26 \rfloor = 125$), and a fractional part (i.e., 0.6667) is derived from $\frac{2}{3}$.

Please note that the proposed autonomous calibration mechanism is not limited to the ADPLL application. For example, the autonomous calibration mechanism may be implemented in any PLL application which employs the proposed clock generator (e.g., the delay-line based non-harmonic clock generator **1206**) as long as the phase error information generated from the phase detector of the PLL circuit is available to the calibration apparatus.

Those skilled in the art will readily observe that numerous modifications and alterations of the device and method may be made while retaining the teachings of the invention. Accordingly, the above disclosure should be construed as limited only by the metes and bounds of the appended claims.

What is claimed is:

1. A calibration apparatus for calibrating timing mismatch of an edge rotator operating on multiple phases of an oscillator, comprising:

a capturing block, arranged to capture phase error samples; and

a calibrating block, arranged to adjust timing of said edge rotator according to said phase error samples;

wherein said phase error samples are derived from a reference phase and a variable phase corresponding to an output of said edge rotator; and wherein said reference phase is derived from a channel frequency command word (FCW) and a clock reference fed into a digital phase detector, and a fractional part of an FCW value is an inverse of a period of said edge rotator.

2. A calibration apparatus for calibrating timing mismatch of an edge rotator operating on multiple phases of an oscillator, comprising:

a capturing block, arranged to capture phase error samples; and

a calibrating block, arranged to adjust timing of said edge rotator according to said phase error samples;

wherein said calibrating block comprises:

a calculating circuit, arranged to estimate the timing mismatch of said edge rotator according to said phase error samples; and

an adjusting circuit, arranged to adjust said timing of said edge rotator according to an output of said calculating circuit.

3. The calibration apparatus of claim **2**, wherein said phase error samples are derived from a reference phase and a variable phase corresponding to an output of said edge rotator.

4. The calibration apparatus of claim **3**, wherein said reference phase is derived from a channel frequency command word (FCW) and a clock reference fed into a digital phase detector, and a fractional part of an FCW value is an inverse of a period of said edge rotator.

5. The calibration apparatus of claim **2**, wherein said calculating circuit estimates said timing mismatch of said edge rotator by calculating a difference between a phase error sample of said phase error samples and each of remaining phase error samples.

16

6. The calibration apparatus of claim **2**, wherein said adjusting circuit is arranged to have accumulation functionality and follow a least mean square (LMS) algorithm to process said output of said calculating circuit.

7. The calibration apparatus of claim **2**, wherein a number of said phase error samples is equal to periodicity of said edge rotator.

8. The calibration apparatus of claim **2**, wherein said calibrating block stochastically reduces said timing mismatch of said edge rotator.

9. A calibration method for calibrating timing mismatch of an edge rotator operating on multiple phases of an oscillator, comprising:

capturing phase error samples; and
adjusting timing of said edge rotator according to said phase error samples;

wherein said step of adjusting timing of said edge rotator comprises:

estimating the timing mismatch of said edge rotator according to said phase error samples;

wherein said timing of said edge rotator is adjusted according to an output of estimating the timing mismatch.

10. The calibration method of claim **9**, wherein said phase error samples are derived from a reference phase and a variable phase corresponding to an output of said edge rotator.

11. The calibration method of claim **10**, wherein said reference phase is derived from a channel frequency command word (FCW) and a clock reference fed into a digital phase detector, and a fractional part of an FCW value is an inverse of a period of said edge rotator.

12. The calibration method of claim **9**, wherein said step of estimating the timing mismatch comprises:

calculating a difference between a phase error sample of said phase error samples and each of remaining phase error samples.

13. The calibration method of claim **9**, wherein said step of adjusting timing of said edge rotator further comprises:

performing accumulation upon said output of said calculating circuit by following a least mean square (LMS) algorithm.

14. The calibration method of claim **9**, wherein a number of said phase error samples is equal to periodicity of said edge rotator.

15. The calibration method of claim **9**, wherein said step of adjusting timing of said edge rotator stochastically reduces said timing mismatch of said edge rotator.

16. A clock generating apparatus, comprising:

a clock generator, comprising:

an oscillator block, arranged to provide a first clock of multiple phases;

a delay circuit, arranged to delay at least one of said multiple phases of said first clock to generate a second clock of multiple phases; and

an output block, arranged to receive said second clock and generate a third clock by selecting signals from said multiple phases of said second clock, said output block comprising:

an edge rotator operating on said multiple phases of said second clock, wherein said third clock has non-harmonic relationship with said first clock; and

a calibration apparatus, arranged to calibrate timing mismatch of the edge rotator, said calibration apparatus comprising:

a capturing block, arranged to capture phase error samples; and

17

a calibrating block, arranged to adjust timing of said edge rotator according to said phase error samples; wherein said calibrating block comprises:

- a calculating circuit, arranged to estimate the timing mismatch of said edge rotator according to said phase error samples; and
- an adjusting circuit, arranged to adjust said timing of said edge rotator according to an output of said calculating circuit.

17. The clock generating apparatus of claim 16, wherein said edge rotator comprises:

- a multiplexer, arranged to generate a multiplexer output by multiplexing said multiple phases of said second clock according to a control signal; and
- a controller, arranged to receive said multiplexer output and generate said control signal according to said multiplexer output.

18. The clock generating apparatus of claim 17, wherein said output block further comprises:

- a toggle circuit, arranged to receive said multiplexer output and generate said third clock according to said multiplexer output, wherein said third clock is toggled when said toggle circuit is triggered by said multiplexer output.

18

19. The clock generating apparatus of claim 16, wherein said phase error samples are derived from a reference phase and a variable phase corresponding to an output of said edge rotator.

20. The clock generating apparatus of claim 19, wherein said reference phase is derived from a channel frequency command word (FCW) and a clock reference fed into a digital phase detector, and a fractional part of an FCW value is an inverse of a period of said edge rotator.

21. The clock generating apparatus of claim 16 wherein said calculating circuit estimates said timing mismatch of said edge rotator by calculating a difference between a phase error sample of said phase error samples and each of remaining phase error samples.

22. The clock generating apparatus of claim 16, wherein said adjusting circuit is arranged to have accumulation functionality and follow a least mean square (LMS) algorithm to process said output of said calculating circuit.

23. The clock generating apparatus of claim 16, wherein a number of said phase error samples is equal to periodicity of said edge rotator.

24. The clock generating apparatus of claim 16, wherein said calibrating block stochastically reduces said timing mismatch of said edge rotator.

* * * * *