



US010270487B2

(12) **United States Patent**
Liao et al.

(10) **Patent No.:** **US 10,270,487 B2**
(45) **Date of Patent:** **Apr. 23, 2019**

(54) **FREQUENCY GENERATOR AND ASSOCIATED METHOD**
(71) Applicant: **TAIWAN SEMICONDUCTOR MANUFACTURING COMPANY LTD.**, Hsinchu (TW)
(72) Inventors: **Chia-Chun Liao**, Taipei (TW); **Min-Shueh Yuan**, Taipei (TW); **Chao-Chieh Li**, Hsinchu (TW); **Robert Bogdan Staszewski**, Dublin (IE)
(73) Assignee: **TAIWAN SEMICONDUCTOR MANUFACTURING COMPANY LTD.**, Hsinchu (TW)
(*) Notice: Subject to any disclaimer, the term of this patent is extended or adjusted under 35 U.S.C. 154(b) by 21 days.

(58) **Field of Classification Search**
CPC H04B 1/7087; H04B 2201/71346; H03L 7/093; H03L 7/0992; H03L 7/0994; H03L 2207/50; H04L 7/0331
See application file for complete search history.

(56) **References Cited**
U.S. PATENT DOCUMENTS
6,809,598 B1 * 10/2004 Staszewski H03C 3/0925 327/156
2010/0283665 A1 * 11/2010 Bashir H04B 1/0475 342/174

(21) Appl. No.: **15/881,108**
(22) Filed: **Jan. 26, 2018**

(Continued)
Primary Examiner — Freshteh N Aghdam
(74) *Attorney, Agent, or Firm* — WPAT, P.C., Intellectual Property Attorneys; Anthony King

(65) **Prior Publication Data**
US 2019/0068242 A1 Feb. 28, 2019

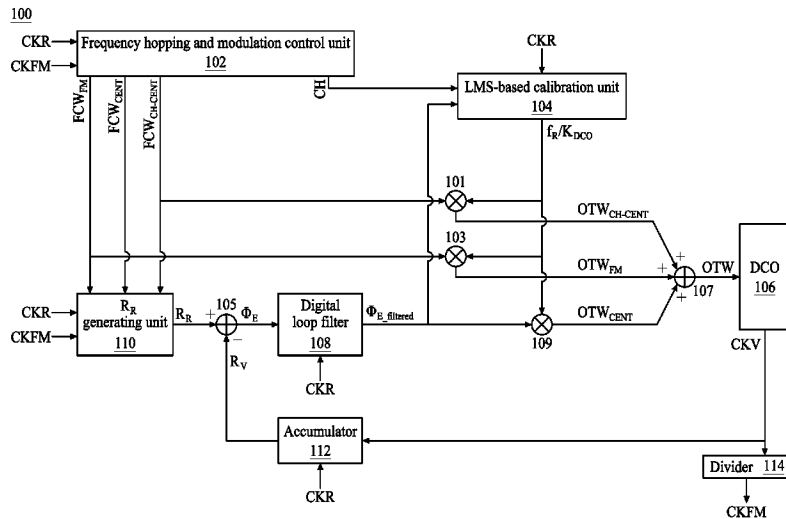
(57) **ABSTRACT**
A frequency generator is disclosed. The frequency generator is for generating an oscillator clock according to a reference clock, and the frequency generator is used in a frequency hopping system that switches a carrier frequency among a plurality of channels, and the carrier frequency further carries a modulation frequency for data transmission. The frequency generator includes: a frequency hopping and modulation control unit arranged for generating a current channel according to a channel hopping sequence and a frequency command word (FCW) based on the reference clock, wherein the modulation frequency is higher than a frequency of the reference clock; a reference phase generating unit arranged for generating a reference phase according to the reference clock, the modulation clock, the first FCW, the second FCW, and the third FCW; a digital-controlled oscillator (DCO) arranged for generating the oscillator clock according to the reference phase. An associated method is also disclosed.

Related U.S. Application Data
(60) Provisional application No. 62/551,466, filed on Aug. 29, 2017.

(51) **Int. Cl.**
H04B 1/708 (2011.01)
H04B 1/7087 (2011.01)
(Continued)

(52) **U.S. Cl.**
CPC **H04B 1/7087** (2013.01); **H03L 7/093** (2013.01); **H03L 7/0992** (2013.01);
(Continued)

20 Claims, 10 Drawing Sheets



- (51) **Int. Cl.**
H04L 7/033 (2006.01)
H03L 7/099 (2006.01)
H03L 7/093 (2006.01)
- (52) **U.S. Cl.**
CPC *H03L 7/0994* (2013.01); *H04L 7/0331*
(2013.01); *H03L 2207/50* (2013.01); *H04B*
2201/71346 (2013.01)

(56) **References Cited**

U.S. PATENT DOCUMENTS

2011/0148676 A1* 6/2011 Waheed G04F 10/005
341/131
2011/0227621 A1* 9/2011 Ridgers G04F 10/00
327/159
2017/0288850 A1* 10/2017 Can H04L 7/0331
2018/0183447 A1* 6/2018 Sim H03L 7/0992

* cited by examiner

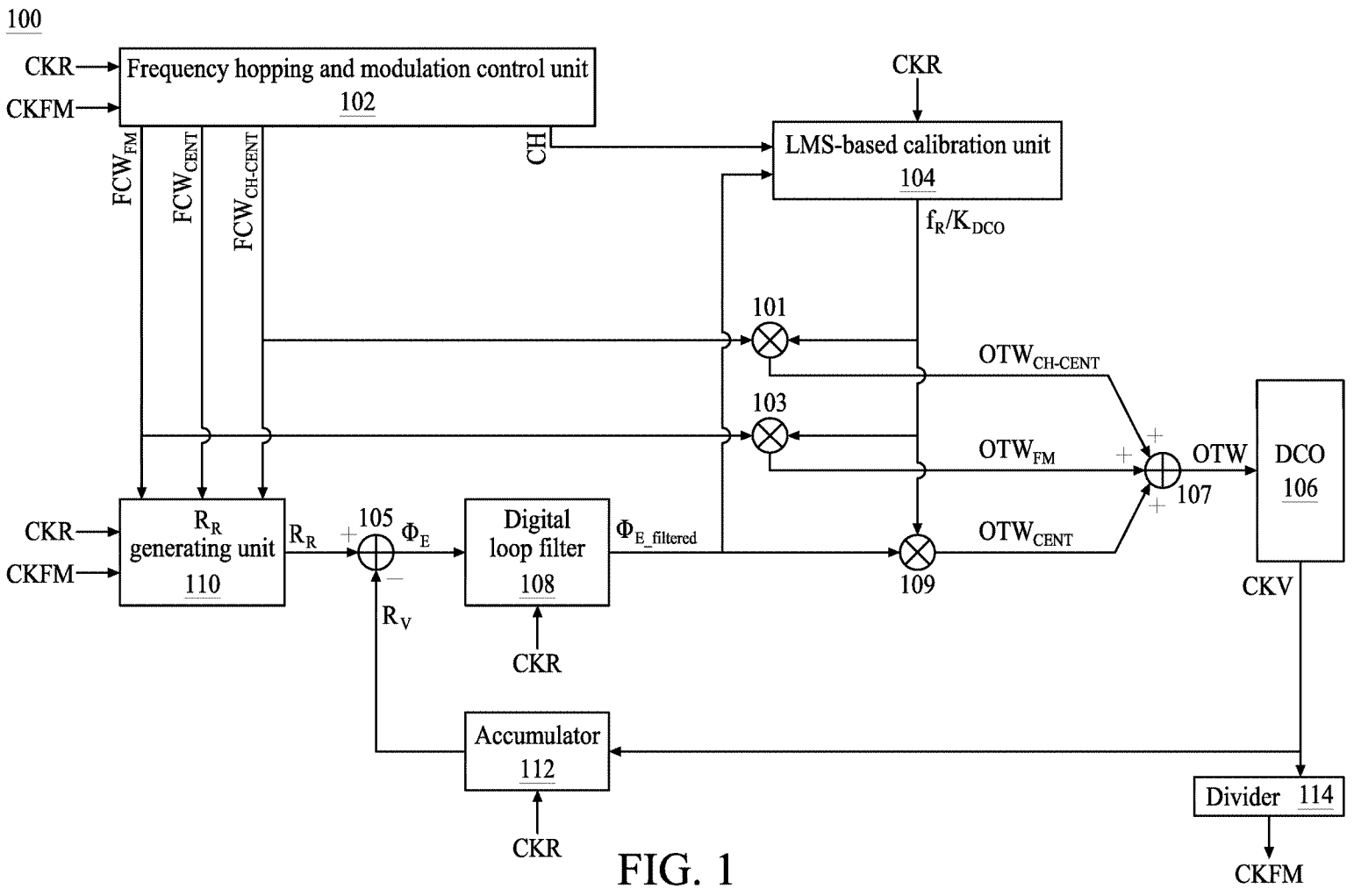


FIG. 1

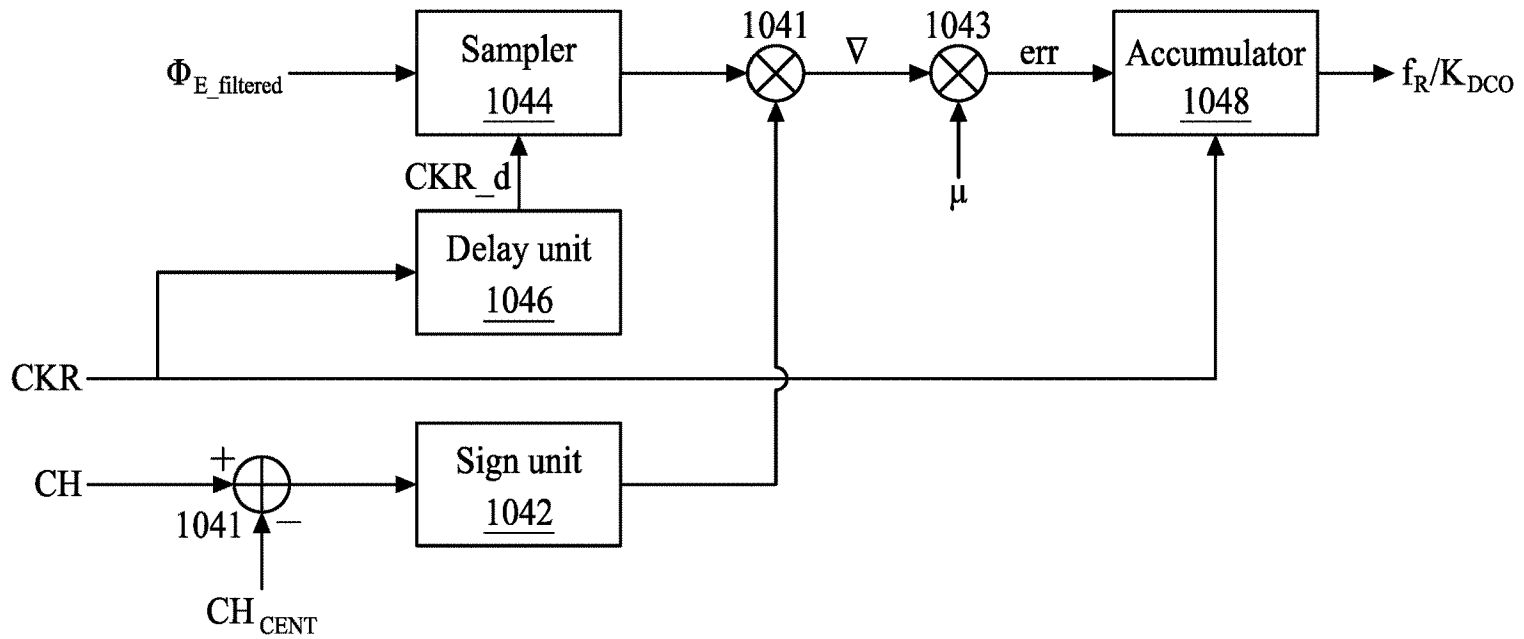


FIG. 2

104

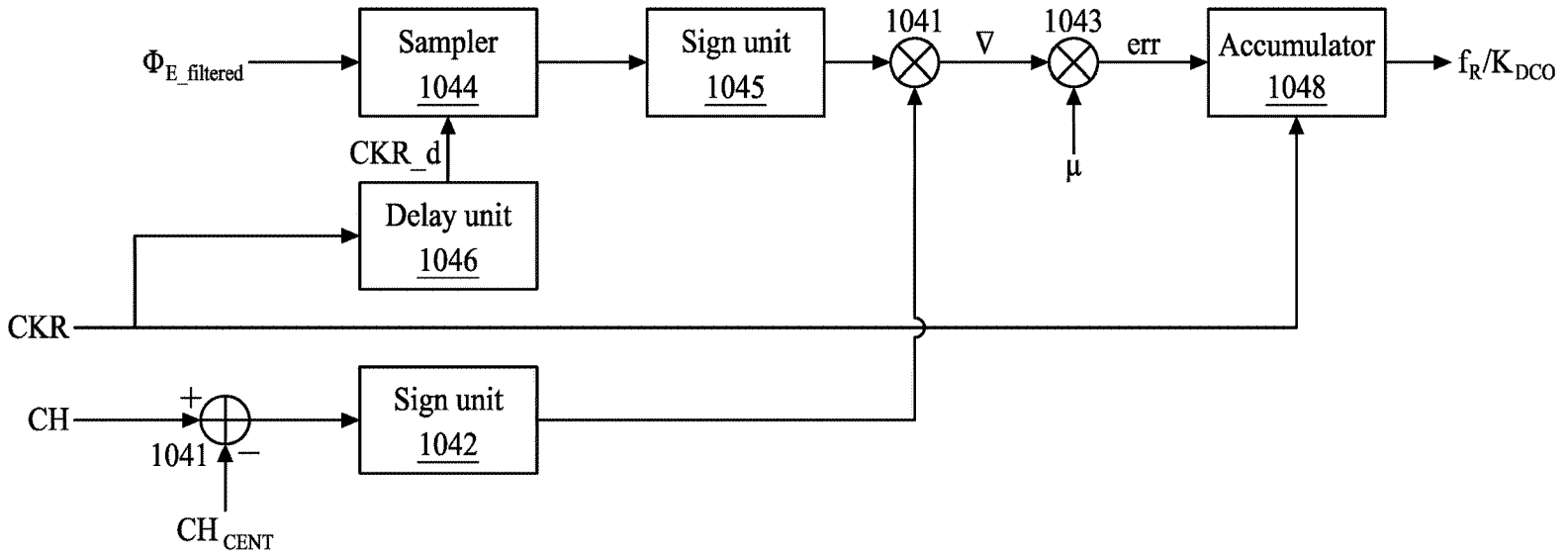


FIG. 3

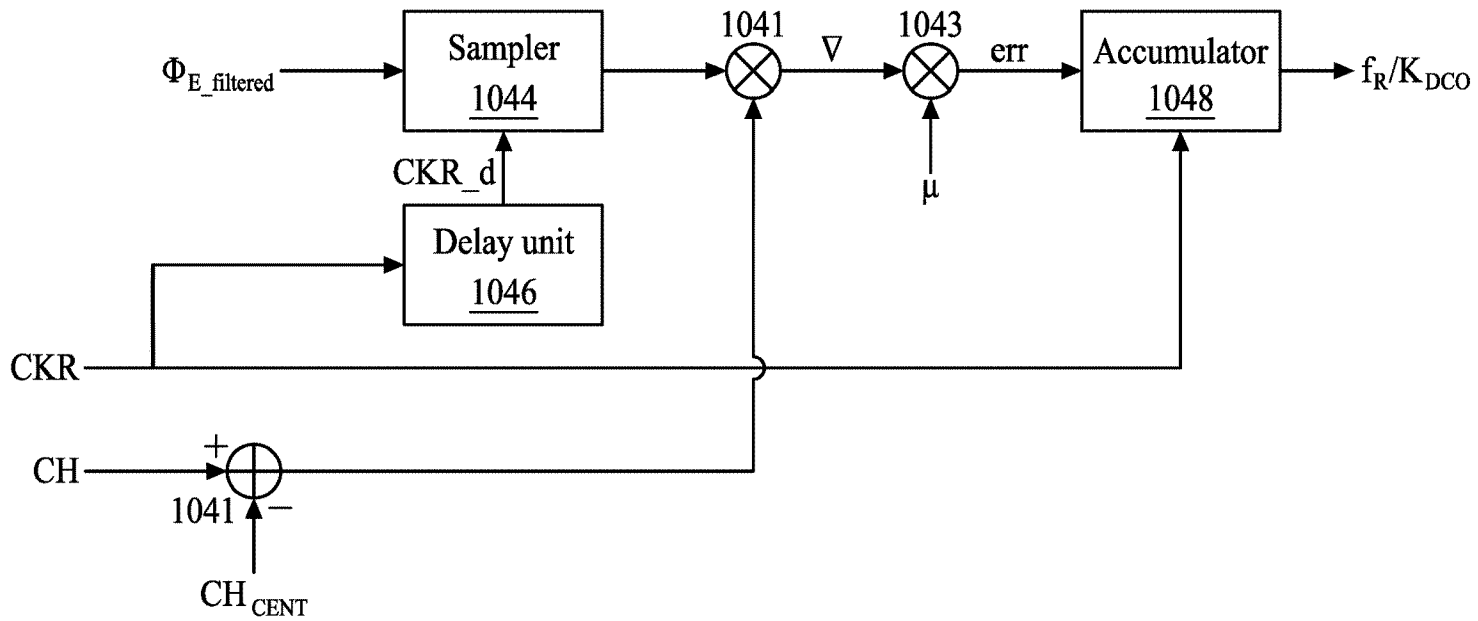


FIG. 4

104

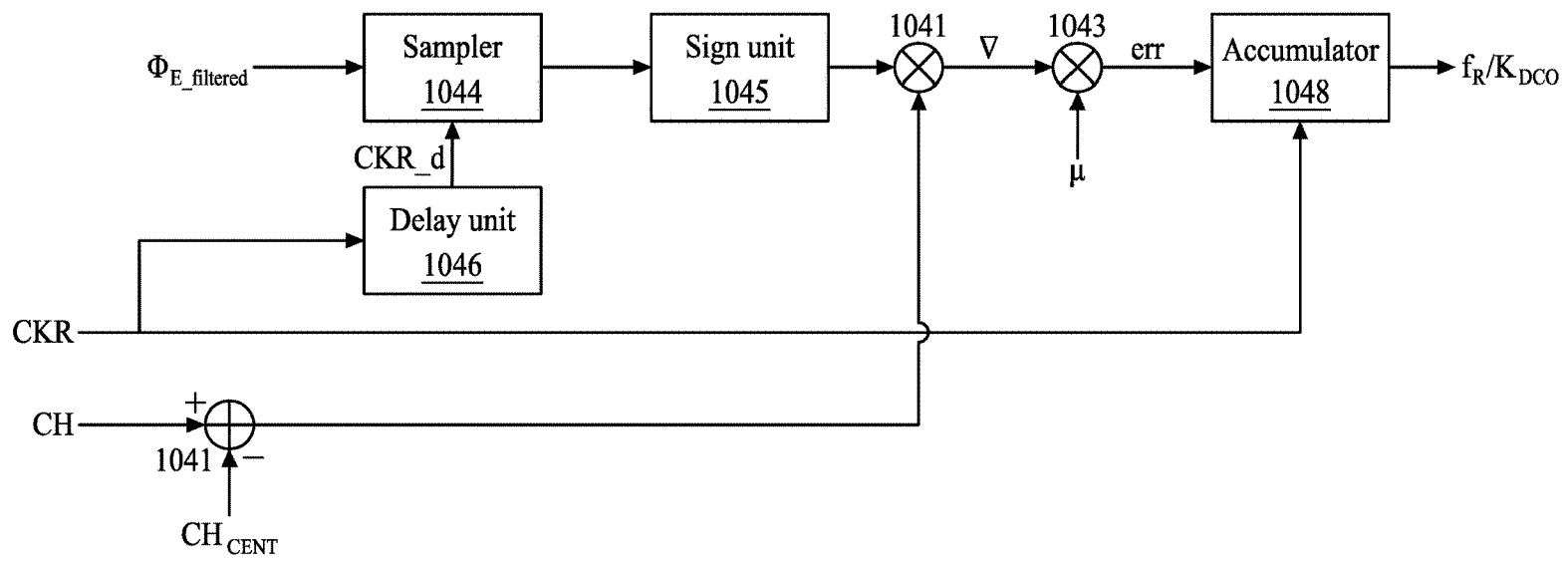


FIG. 5

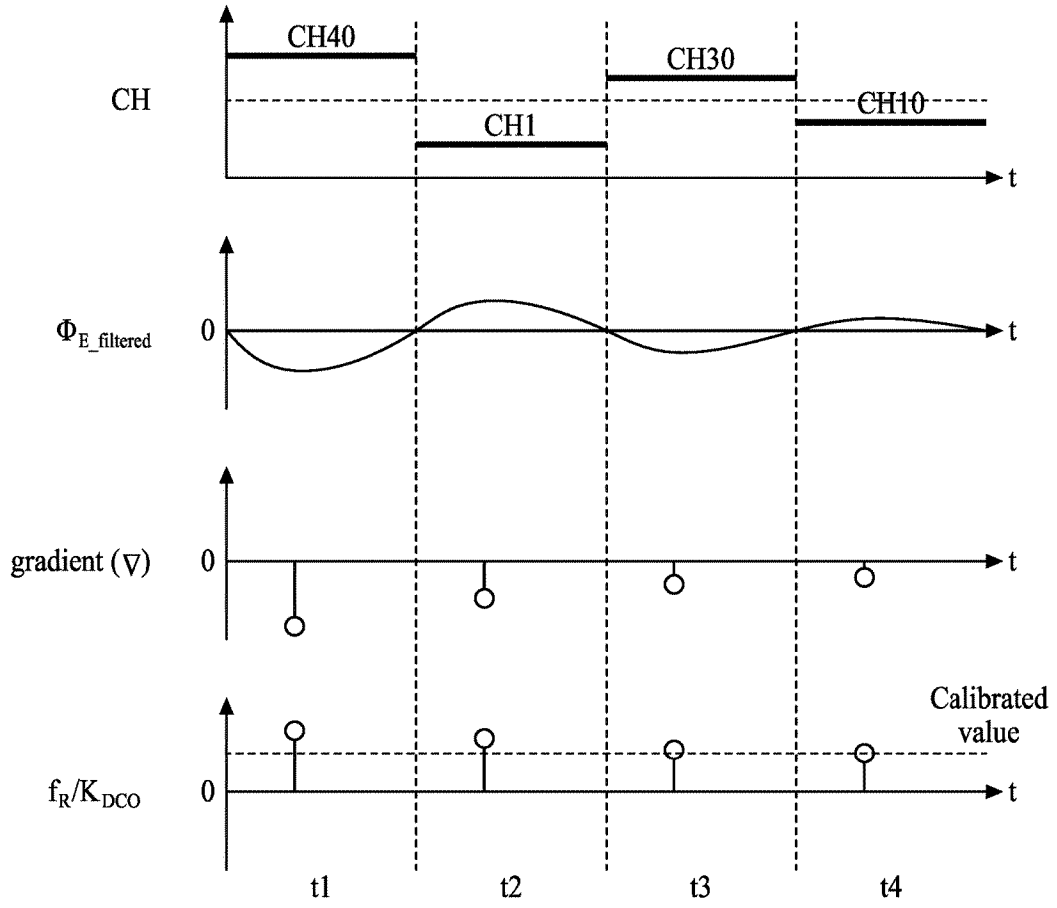


FIG. 6

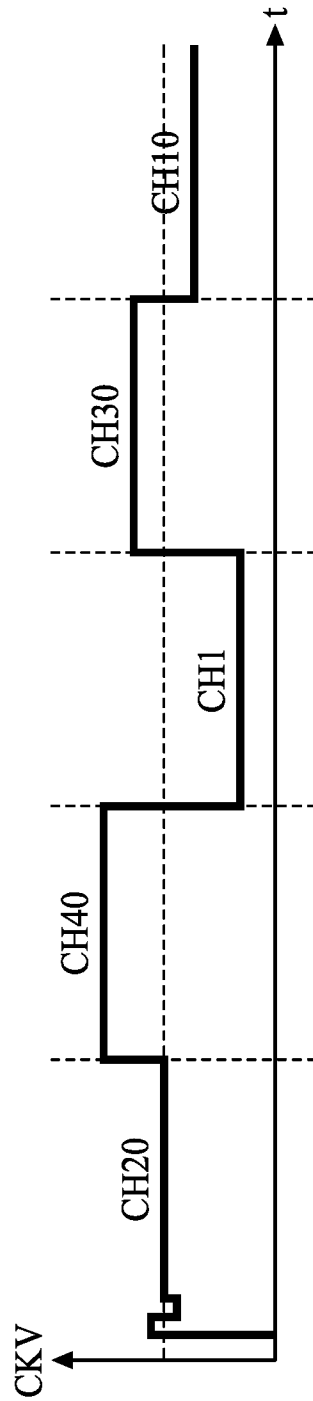


FIG. 7

110

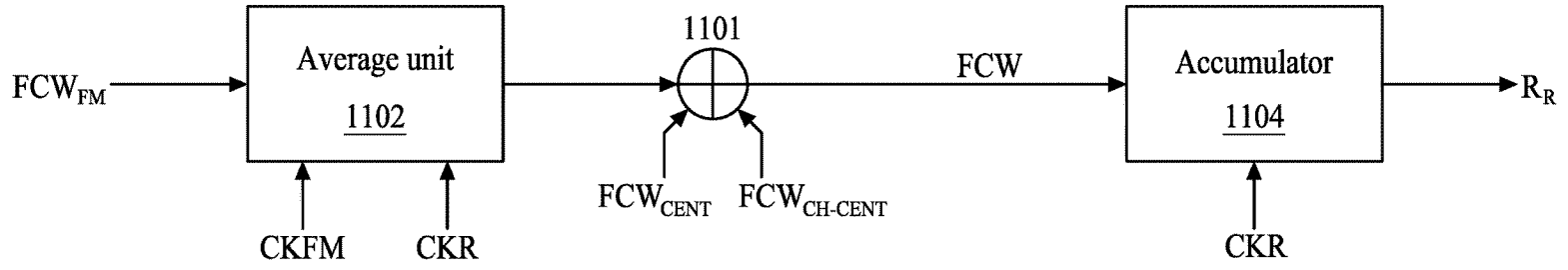


FIG. 8

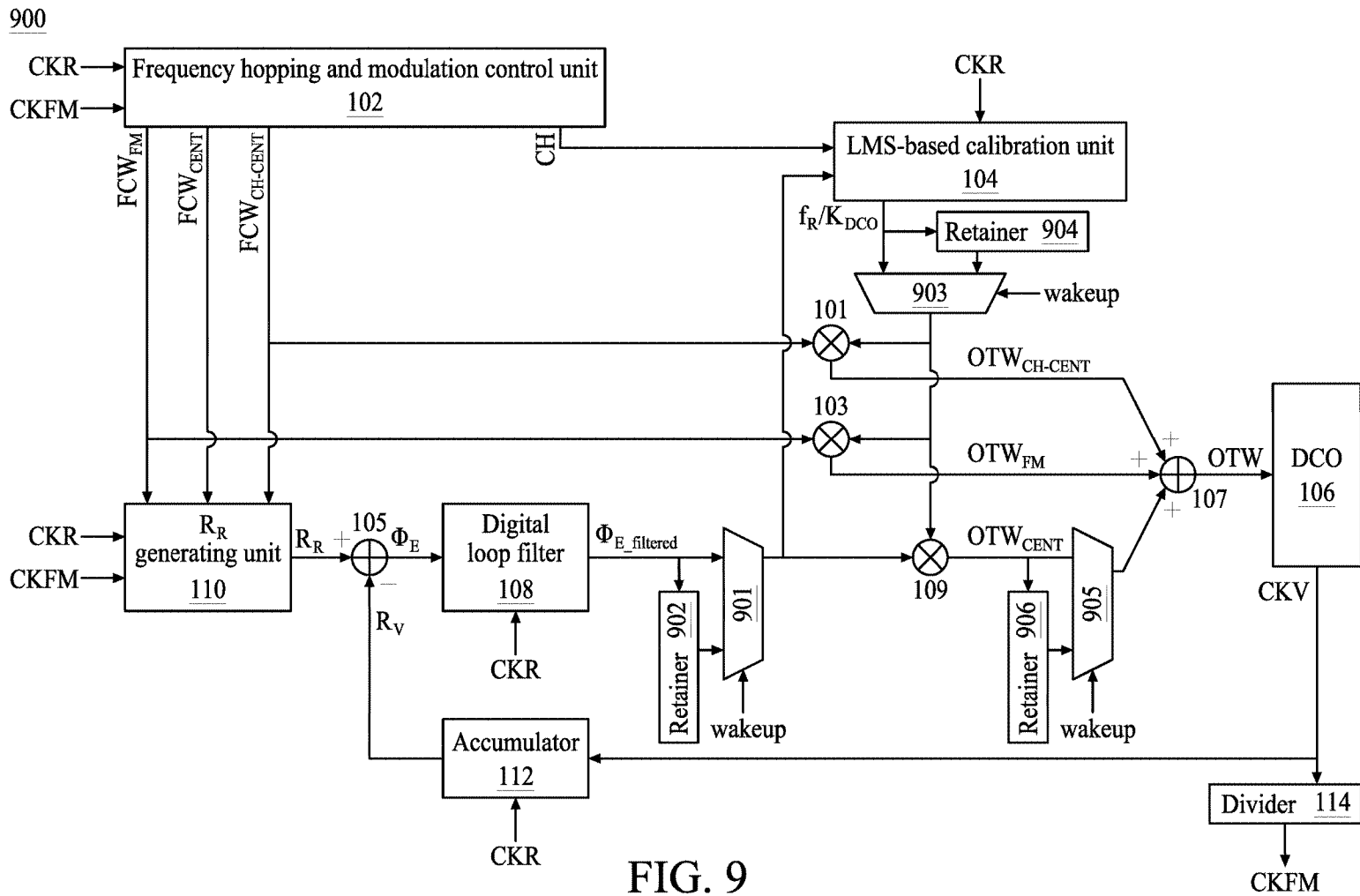


FIG. 9

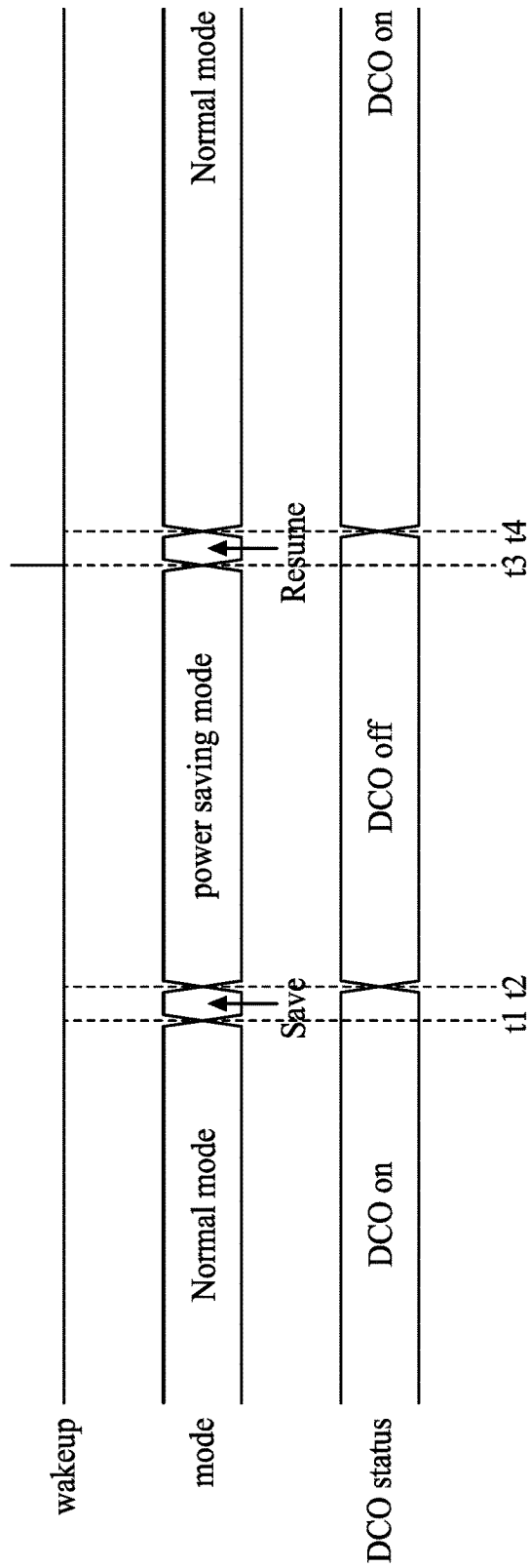


FIG. 10

FREQUENCY GENERATOR AND ASSOCIATED METHOD

CROSS REFERENCE TO RELATED APPLICATIONS

This application claims the benefit of U.S. provisional application 62/551,466, filed on Aug. 29, 2017, which is incorporated by reference in its entirety.

BACKGROUND

As known by those skilled in the art, a conventional analog PLL may be susceptible to errors (or even error propagation) since said analog PLL uses analog operations and analog elements. Therefore, digital phase-locked loops (DPLL), which utilize a counter with a variable divisor on the feedback path, are proposed for relieving the errors with the partial aid of digital operations and digital elements, and moreover, an all-digital phase-locked loop (ADPLL) may significantly help in area reduction and process migration. For example, a digitally-controlled oscillator (DCO) may be used to replace the conventionally used voltage-controlled oscillator (VCO), which is an analog element. A phase detector may also be replaced with a time-to-digital converter. Therefore, ADPLL is gaining popularity and becoming a trend in radio communications.

BRIEF DESCRIPTION OF THE DRAWINGS

Aspects of the present disclosure are best understood from the following detailed description when read with the accompanying figures. It is noted that, in accordance with the standard practice in the industry, various features are not drawn to scale. Specifically, dimensions of the various features may be arbitrarily increased or reduced for clarity of discussion.

FIG. 1 is a diagram illustrating an all-digital phase locked loop (ADPLL) in accordance with various embodiments of the present disclosure;

FIG. 2 is a diagram illustrating an LMS-based calibration unit in accordance with a first embodiment of the present disclosure;

FIG. 3 is a diagram illustrating an LMS-based calibration unit in accordance with a second embodiment of the present disclosure;

FIG. 4 is a diagram illustrating an LMS-based calibration unit in accordance with a third embodiment of the present disclosure;

FIG. 5 is a diagram illustrating an LMS-based calibration unit in accordance with a fourth embodiment of the present disclosure;

FIG. 6 is a timing diagram illustrating convergence of an estimated DCO normalization value during frequency hopping in accordance with various embodiments of the present disclosure;

FIG. 7 is a timing diagram illustrating an oscillator clock during frequency hopping in accordance with various embodiments of the present disclosure;

FIG. 8 is a diagram illustrating an R_R generating unit in accordance with various embodiments of the present disclosure;

FIG. 9 is a diagram illustrating an ADPLL in accordance with various embodiments of the present disclosure; and

FIG. 10 is a timing diagram illustrating the status of the DCO at different modes in accordance with various embodiments of the present disclosure.

DETAILED DESCRIPTION

The following disclosure provides many different embodiments, or examples, for implementing different features of the provided subject matter. Specific examples of components and arrangements are described below to simplify the present disclosure. These are, of course, merely examples and are not intended to be limiting. For example, the formation of a first feature over or on a second feature in the description that follows may include embodiments in which the first and second features are formed in direct contact, and may also include embodiments in which additional features may be formed between the first and second features, such that the first and second features may not be in direct contact. In addition, the present disclosure may repeat reference numerals or letters in the various examples. This repetition is for the purpose of simplicity and clarity and does not in itself dictate a relationship between the various embodiments and configurations discussed.

Further, spatially relative terms, such as “beneath,” “below,” “lower,” “above,” “upper” and the like, may be used herein for ease of description to describe one element or feature’s relationship to another element or feature as illustrated in the figures. The spatially relative terms are intended to encompass different orientations of the device in use or operation in addition to the orientation depicted in the figures. The apparatus may be otherwise oriented (rotated 90 degrees or at other orientations) and the spatially relative descriptors used herein may likewise be interpreted accordingly.

Notwithstanding that the numerical ranges and parameters setting forth the broad scope of the disclosure are approximations, the numerical values set forth in the specific examples are reported as precisely as possible. Any numerical value, however, inherently contains certain errors necessarily resulting from the standard deviation found in the respective testing measurements. Also, as used herein, the term “about” generally means within 10%, 5%, 1%, or 0.5% of a given value or range. Alternatively, the term “about” means within an acceptable standard error of the mean when considered by one of ordinary skill in the art. Other than in the operating or working examples, or unless otherwise expressly specified, all of the numerical ranges, amounts, values and percentages such as those for quantities of materials, durations of times, temperatures, operating conditions, ratios of amounts, and the likes thereof disclosed herein should be understood as modified in all instances by the term “about.” Accordingly, unless indicated to the contrary, the numerical parameters set forth in the present disclosure and attached claims are approximations that can vary as desired. At the very least, each numerical parameter should at least be construed in light of the number of reported significant digits and by applying ordinary rounding techniques. Ranges can be expressed herein as from one endpoint to another endpoint or between two endpoints. All ranges disclosed herein are inclusive of the endpoints, unless specified otherwise.

The present disclosure is an apparatus and a method of calibrating the gain of a digitally controlled oscillator (DCO). The disclosure is applicable to any system in which it is desirable to estimate, calibrate and track the gain of an RF digitally controlled oscillator such as those in mobile phones and other wireless applications. The disclosure is intended for use in a digital radio transmitter or transceiver but can be used in other applications as well, such as a general communication channel. The present disclosure pro-

vides a solution to the problems and disadvantages of prior art gain calibration techniques.

To aid in understanding the principles of the present disclosure, the description is provided in the context of a digital RF processor (DRP) transmitter and receiver that may be adapted to comply with a particular wireless communications standard such as GSM, Bluetooth, WCDMA, etc. It is appreciated, however, that the disclosure is not limited to use with any particular communication standard and may be used in optical, wired and wireless applications. Further, the disclosure is not limited to use with a specific modulation scheme but is applicable to any modulation scheme including both digital and analog modulation. The disclosure is applicable to any system in which it is desirable to estimate, calibrate and track the modulation gain of a digitally controlled oscillator.

FIG. 1 is a diagram illustrating an all-digital phase locked loop (ADPLL) **100** in accordance with various embodiments of the present disclosure. For illustration purposes only, the ADPLL **100**, as shown, is adapted for a system including frequency hopping modulation, such as the Bluetooth low energy v4.0 standard. It is appreciated, however, that one skilled in the communication arts can adapt the ADPLL **100** illustrated herein to other modulations and communication standards as well without departing from the spirit and scope of the present disclosure. For example, the ADPLL **100** illustrated in FIG. 1 can be employed by the GSM/EDGE cellular standard.

In this disclosure, a reference clock CKR of the ADPLL **100** is configured to have a reference frequency f_R much lower than a modulation frequency f_{FM} of the modulation clock CKFM. For example, the reference frequency f_R of the reference clock CKR may be 32.768 kHz for cost reduction and power saving. The modulation frequency f_{FM} of the modulation clock CKFM may be about 7 to 10 MHz. However, this is not a limitation of the present disclosure. The hopping frequency level is not limited, may be in a range from kHz to THz. In this disclosure, the Bluetooth low energy v4.0 includes 40 channels each having a 2 MHz bandwidth, and the total bandwidth is 80 MHz.

The core of the ADPLL **100** is a digitally controlled oscillator (DCO) **106** adapted to generate an oscillator clock CKV. This DCO **106** here may be any type of oscillator, such as an LC tank oscillator, a ring oscillator, a Colpitts oscillator, a Hartly oscillator. The output of the DCO **106**, i.e. the oscillator clock CKV, may serve as a carrier frequency of a transmitter. In many instances, the oscillator clock CKV may be further divided before using. A value of the DCO gain of the DCO **106** may be defined as a frequency of the oscillator clock CKV over an oscillator tuning word (OTW) of the DCO **106**. The DCO gain may be affected by the current state of process, voltage and temperature (PVT) at any point in time. With the help of the precisely calibrated DCO gain, the ADPLL **100** is able to employ a two point direct modulation scheme and does not need to redo extra close loop locking process each time the channel is changed throughout the frequency hopping.

The close loop locking process only needs to be carried out when each time the ADPLL **100** is powered up. In particular, the ADPLL **100** of the present disclosure is configured to always stay settled to a center channel CH_{CENT} among all the channels, e.g. (the 20th channel of the Bluetooth low energy v4.0) and is configured to perform the combined channel hopping and frequency modulation by instantaneously offsetting resonance of the DCO **106** from the center channel CH_{CENT} via the two point direct modulation scheme. In this way, fast frequency hopping can be

achieved even at extremely low reference clock CKR since the locking time for frequency hopping is substantially zero. The accuracy of the frequency hopping modulation highly depends on accurate estimation and calibration of the DCO gain. Please note that it is not a limitation to configure the ADPLL **100** to always stay settled to the center channel CH_{CENT} . In many instances, the ADPLL **100** may be always stay settled to a channel that is not around the center channel CH_{CENT} .

The oscillator clock CKV may be divided by a divider **114** to produce the modulation clock CKFM. A frequency hopping and modulation control unit **102** is used to provide a current channel CH based on a predetermined channel hopping sequence in accordance with the system that the ADPLL **100** is designed for, e.g. the Bluetooth low energy v4.0 standard. However, this is not a limitation of the present disclosure. In some instances, the channel hopping sequence may be a random, pseudo random or periodic sequence that is predetermined or real-time generated, i.e. on-the-fly. The frequency hopping and modulation control unit **102** further generates components of an overall frequency command word (FCW). The FCW may be defined as the frequency of the oscillator clock CKV over the reference frequency f_R of the reference clock CKR. The FCW includes components FCW_{CENT} , $FCW_{CH-CENT}$ and FCW_{FM} . FCW_{CENT} corresponds to a frequency of the center channel CH_{CENT} , e.g. (the 20th channel of the Bluetooth low energy v4.0). $FCW_{CH-CENT}$ corresponds to a frequency of the difference between the center channel CH_{CENT} and a channel indicated by the signal CH. FCW_{FM} corresponds to a frequency of the frequency modulation. The overall frequency command word FCW is defined as the frequency division ratio of an expected variable frequency f_V of the oscillator clock CKV to the reference frequency f_R of the reference clock CKR. In the present disclosure, FCW_{CENT} and $FCW_{CH-CENT}$ belong to the reference clock CKR domain, and FCW_{FM} belongs to the oscillator clock CKV domain.

A Least mean squares (LMS)-based calibration unit **104** is used to iteratively calibrate an estimated DCO gain K_{DCO} based on the LMS algorithm during frequency hopping according to the channel CH and a filtered phase error (i.e. $\varphi_{E, filtered}$ as shown in FIG. 1) output by a digital loop filter **108**. The LMS-based calibration unit **104** outputs an estimated DCO normalization value (i.e. f_R/K_{DCO} as shown in FIG. 1) for generating components of the oscillator tuning word (OTW), including OTW_{CENT} , $OTW_{CH-CENT}$ and OTW_{FM} . OTW_{CENT} corresponds to the center channel CH_{CENT} , e.g. (the 20th channel of the Bluetooth low energy v4.0). $OTW_{CH-CENT}$ corresponds to the difference between the center channel CH_{CENT} and the current channel CH. OTW_{FM} corresponds to frequency modulation. In particular, OTW_{CENT} is a product of a multiplier **109** that multiplies the estimated DCO normalization value f_R/K_{DCO} by the filtered phase error $\varphi_{E, filtered}$. $OTW_{CH-CENT}$ is a product of a multiplier **101** that multiplies the estimated DCO normalization value f_R/K_{DCO} by the FCW component $FCW_{CH-CENT}$. OTW_{FM} is a product of a multiplier **103** that multiplies the estimated DCO normalization value f_R/K_{DCO} by the FCW component FCW_{FM} . The OTW components OTW_{CENT} , $OTW_{CH-CENT}$, and OTW_{FM} then are summed up by an adder **107** and fed to the DCO **106**.

An R_R generating unit **110** is used to generate a reference phase R_R according to the reference clock CKR, the modulation clock CKFM, the FCW components FCW_{FM} , FCW_{CENT} , and $FCW_{CH-CENT}$. An accumulator **112** is used to generate a variable phase R_V according to the reference clock CKR and the oscillator clock CKV. A phase error φ_E

is obtained by subtracting the variable phase R_V from the reference phase R_R according through an adder **105**. The variable phase R_V output from the accumulator **112** reflects a cycle number of the oscillator clock CKV per cycle of the reference clock CKR. The reference phase R_R output from the R_R generating unit **110** reflects the averaged FCW (i.e. $FCW_{CENT} + FCW_{CH-CENT} + \text{averaged } FCW_{FM}$) per cycle of the reference clock CKR.

FIG. 2 is a diagram illustrating the LMS-based calibration unit **104** in accordance with a first embodiment of the present disclosure. The LMS-based calibration unit **104** includes a sampler **1044** to sample the received the filtered phase error $\varphi_{E, filtered}$ according to a delayed reference clock CKR_d. The delayed reference clock CKR_d is obtained by delaying the reference clock CKR, and a delay time thereof is determined according to a delay unit **1046**. In the present disclosure, the delay time is predetermined. A sign unit **1042** is configured to perform a sign function, i.e. to extract the sign, upon (the current channel CH—the center channel CH_{CENT}). For instance, when the center channel is the 20th channel and the frequency hopping and modulation control unit **102** controls ADPLL **100** hopping to the 30th channel, sign (30-20) is +1 and the sign unit **1042** output +1. When the center channel is the 20th channel and the frequency hopping and modulation control unit **102** controls ADPLL **100** hopping to the 8th channel, sign (8-20) is -1 and the sign unit **1042** output -1. In the present disclosure, when the current channel CH and the center channel are the same, the sign unit **1042** output +1.

The sampled filtered phase error $\varphi_{E, filtered}$ is then multiplied by the sign (CH- CH_{CENT}) to obtain a gradient ∇ , and the gradient ∇ is multiplied by a step size μ to obtain a phase error err. The step size μ may be a predetermined value or can adaptively change according to the status of convergence. An accumulator **1048** is configured to accumulate the phase error err and is operated at the reference clock CKR domain. The accumulated phase error err is also representative of the estimated DCO normalization value f_R/K_{DCO} . The behavior of the LMS-based calibration unit **104** of FIG. 2 can be summarized as $f_R/K_{DCO}[n] = f_R/K_{DCO}[n-1] + \mu * \varphi_{E, filtered}[n] * \text{sign}(CH - CH_{CENT})$, where n is the index of the reference clock CKR.

Alternative embodiments of the LMS-based calibration unit **104** are shown in FIG. 3 to FIG. 5. FIG. 3 is a diagram illustrating the LMS-based calibration unit **104** in accordance with a second embodiment of the present disclosure. In FIG. 3, another sign unit **1045** shows to extract the sign of the sampled filtered phase error $\varphi_{E, filtered}$. The behavior of the LMS-based calibration unit **104** of FIG. 3 can be summarized as $f_R/K_{DCO}[n] = f_R/K_{DCO}[n-1] + \mu * \text{sign}(\varphi_{E, filtered}[n]) * \text{sign}(CH - CH_{CENT})$, where n is the index of the reference clock CKR.

FIG. 4 is a diagram illustrating the LMS-based calibration unit **104** in accordance with a third embodiment of the present disclosure. In FIG. 4, no sign units are used. The behavior of the LMS-based calibration unit **104** of FIG. 4 can be summarized as $f_R/K_{DCO}[n] = f_R/K_{DCO}[n-1] + \mu * \varphi_{E, filtered}[n] * (CH - CH_{CENT})$, where n is the index of the reference clock CKR. FIG. 5 is a diagram illustrating the LMS-based calibration unit **104** in accordance with a fourth embodiment of the present disclosure. The behavior of the LMS-based calibration unit **104** of FIG. 3 can be summarized as $f_R/K_{DCO} = f_R/K_{DCO}[n-1] + \mu * \text{sign}(\varphi_{E, filtered}[n]) * (CH - CH_{CENT})$, where n is the index of the reference clock CKR.

FIG. 6 is a timing diagram illustrating convergence of the estimated DCO normalization value during frequency hop-

ping in accordance with various embodiments of the present disclosure. In FIG. 6, the center channel CH_{CENT} is configured to be the 20th channel. At time point t1, the current channel CH is the 40th channel, as such sign (CH- CH_{CENT}) is +1. After multiplying the filtered phase error $\varphi_{E, filtered}[t1]$ having a negative value by +1, the gradient $\nabla[t1]$ having a negative value is obtained. The gradient $\nabla[t1]$ is then multiplied by the step size μ and accumulated with the previous estimated DCO normalization value f_R/K_{DCO} by the accumulator **1048**, to output the current estimated DCO normalization value $f_R/K_{DCO}[t1]$. At time point t2, the current channel CH is the 1st channel, as such sign (CH- CH_{CENT}) is -1. After multiplying the filtered phase error $\varphi_{E, filtered}[t2]$ having a positive value by -1, the gradient $\nabla[t2]$ having a negative value is obtained. The gradient $\nabla[t2]$ is then multiplied by the step size μ and accumulated with the previous estimated DCO normalization value $f_R/K_{DCO}[t1]$ by the accumulator **1048**, to output the current estimated DCO normalization value $f_R/K_{DCO}[t2]$. As illustrated in FIG. 6, the current estimated DCO normalization value $f_R/K_{DCO}[t2]$ has a value less than the previous estimated DCO normalization value $f_R/K_{DCO}[t1]$ since the gradient $\nabla[t2]$ is a negative value.

It can be seen from FIG. 6 that the current channel CH then hops to the 30th channel, and then to the 10th channel, and the estimated DCO normalization value $f_R/K_{DCO}[t3]$ and the estimated DCO normalization value $f_R/K_{DCO}[t4]$ are gradually converges to the dashed line, which represents the calibrated value of the estimated DCO normalization value f_R/K_{DCO} .

In light of the above, the estimated DCO normalization value f_R/K_{DCO} can be precisely calibrated during the frequency hopping. The precisely estimated DCO normalization value f_R/K_{DCO} is advantageous for two point direct modulation scheme since the estimated DCO normalization value f_R/K_{DCO} can be used to produce the oscillator tuning word OTW directly. The OTW component $OTW_{CH-CENT}$ is obtained by multiplying the FCW component $FCW_{CH-CENT}$ by the estimated DCO normalization value f_R/K_{DCO} ; and the OTW component OTW_{FM} is obtained by multiplying the FCW component FCW_{FM} by the estimated DCO normalization value f_R/K_{DCO} ; and the OTW component OTW_{CENT} is obtained by multiplying the filtered phase error $\varphi_{E, filtered}$ by the estimated DCO normalization value f_R/K_{DCO} . If the estimated DCO normalization value f_R/K_{DCO} is accurate enough, the ADPLL **100** is able to instantaneously hop to any channel with high accuracy.

FIG. 7 is a timing diagram illustrating the oscillator clock CKV during frequency hopping in accordance with various embodiments of the present disclosure. Compared to conventional ADPLL, the ADPLL **100** of the present disclosure only performs the close loop locking process at the initial stage, e.g. when the ADPLL **100** is powered on. Please note that in FIG. 7, the frequency modulation is omitted for conciseness.

FIG. 8 is a diagram illustrating the R_R generating unit **110** in accordance with various embodiments of the present disclosure. As mentioned above, the R_R generating unit **110** is used to generate the reference phase R_R according to the reference clock CKR, the modulation clock CKFM, the FCW components FCW_{FM} , FCW_{CENT} , and $FCW_{CH-CENT}$. The R_R generating unit **110** includes an average unit **1102**, an accumulator **1104** and an adder **1101**. The average unit **1102** is used to obtain an average value of the FCW components FCW_{FM} in each cycle of the reference clock CKR. The averaged FCW_{FM} is added to the FCW components

FCW_{CENT} and FCW_{CH-CENT} to obtain the overall frequency command word FCW. The overall frequency command word FCW then is accumulated in the accumulator **1104** and the accumulated overall frequency command word FCW is output as the reference phase R_R.

Referring back to FIG. 1, the accumulator **112** is used to accumulate the number of rising edges of the oscillator clock CKV in each cycle of the reference clock CKR, and the accumulated number of rising edges of the oscillator clock CKV is output as the variable phase R_V. The difference between the reference phase R_R and the variable phase R_V is the phase error φ_E. By using the R_R generating unit **110** and the accumulator **112** to calculate the reference phase R_R and the variable phase R_V, the reference frequency f_R of the reference clock CKR can be configured to be lower than the modulation frequency f_{FM} of the modulation clock CKFM.

FIG. 9 is a diagram illustrating an ADPLL **900** in accordance with various embodiments of the present disclosure. Compared to the ADPLL **100**, the ADPLL **900** further includes a retainer **902** for storing the filtered phase error φ_{E,filtered}. In particular, the retainer **902** is configured to store the filtered phase error φ_{E,filtered} before the ADPLL **900** entering into a power saving mode. In many instances, the retainer **902** always updates the filtered phase error φ_{E,filtered} when the ADPLL **900** operates in a normal mode. The data stored in the retainer **902** is not effected even when the ADPLL **900** enters into the power saving mode. For example, the retainer **902** may be supplied by a voltage source which is not powered down during the power saving mode. When the ADPLL **900** is waked up, the filtered phase error φ_{E,filtered} stored in the retainer **902** can be immediately resumed and fed to the subsequent LMS-based calibration unit **104** and the multiplier **109** for use via a multiplexer **901**. The multiplexer **901** selectively outputs the filtered phase error φ_{E,filtered} from the digital loop filter **108** or the retainer **902** according to a signal wakeup, which indicates whether the ADPLL **900** is in the power saving mode. In this way, fast wake up of the ADPLL **900** can be achieved.

Moreover, the ADPLL **900** further includes a retainer **904** for storing the estimated DCO normalization value f_R/K_{DCO} and a retainer **906** for storing the OTW component OTW_{CENT}. Similar to the retainer **902**, the retainers **904** and **906** can temporarily store data in before the ADPLL **900** entering into the power saving mode, and the stored data can be used for fast wake up when the ADPLL **900** leaves the power saving mode and enters the normal mode.

FIG. 10 is a timing diagram illustrating the status of the DCO **106** at different modes in accordance with various embodiments of the present disclosure. The ADPLL **900** is initially configured to be in the normal mode. At time point t1, the retainers **902**, **904** and **906** save the filtered phase error φ_{E,filtered}, the estimated DCO normalization value f_R/K_{DCO} and the OTW component OTW_{CENT} respectively. Then the ADPLL **900** enters into the power saving mode at time point t2, and the DCO **106** is turned off. At time point t3, the signal wakeup is asserted, and the ADPLL **900** starts to resumes the filtered phase error φ_{E,filtered}, the estimated DCO normalization value f_R/K_{DCO} and the OTW component OTW_{CENT} stored in the retainers **902**, **904** and **906**. In this way, the DCO **106** is able to be back to normal operation and directly produce a desired frequency at time point t4 in a short time.

Some embodiment of the present disclosure provides a frequency generator for generating an oscillator clock according to a reference clock, the frequency generator being used in a frequency hopping system that switches a carrier frequency among a plurality of channels, the carrier

frequency further carrying a modulation frequency for data transmission. The frequency generator includes: a frequency hopping and modulation control unit, arranged for generating a current channel according to a channel hopping sequence and a frequency command word (FCW) based on the reference clock, wherein the FCW includes: a first FCW component corresponding to a frequency of a predefined channel; a second FCW component corresponding to a frequency difference between the predefined channel and the current channel; and a third FCW component corresponding to the modulation frequency, wherein the modulation frequency is higher than a frequency of the reference clock; a reference phase generating unit, arranged for generating a reference phase according to the reference clock, the modulation clock, the first FCW, the second FCW, and the third FCW; and a digital-controlled oscillator (DCO), arranged for generating the oscillator clock according to the reference phase.

Some embodiment of the present disclosure provides a frequency generator for generating an oscillator clock according to a reference clock, the frequency generator being used in a frequency hopping system that switches a carrier frequency among a plurality of channels, the carrier frequency further carrying a modulation frequency for data transmission. The frequency generator includes: a frequency hopping and modulation control unit, arranged for generating a current channel according to a channel hopping sequence and a frequency command word (FCW) based on the reference clock, wherein the FCW includes: a first FCW component corresponding to a frequency of a predefined channel; a second FCW component corresponding to a frequency difference between the predefined channel and the current channel; and a third FCW component corresponding to the modulation frequency, wherein the modulation frequency is higher than a frequency of the reference clock; a reference phase generating unit, arranged for generating a reference phase according to the reference clock, the modulation clock, the first FCW, the second FCW, and the third FCW; and a digital-controlled oscillator (DCO), arranged for generating the oscillator clock according to the reference phase.

Some embodiment of the present disclosure provides a frequency generation method for generating an oscillator clock according to a reference clock, the frequency generation method being used for a frequency hopping system that switches a carrier frequency among a plurality of channels, the carrier frequency further carrying a modulation frequency for data transmission. The method includes: providing a current channel according to a channel hopping sequence; and generating a reference phase reflecting an averaged FCW in a cycle of the reference clock.

The foregoing outlines features of several embodiments so that those skilled in the art may better understand the aspects of the present disclosure. Those skilled in the art should appreciate that they may readily use the present disclosure as a basis for designing or modifying other operations and structures for carrying out the same purposes and/or achieving the same advantages of the embodiments introduced herein. Those skilled in the art should also realize that such equivalent constructions do not depart from the spirit and scope of the present disclosure, and that they may make various changes, substitutions, and alterations herein without departing from the spirit and scope of the present disclosure.

Moreover, the scope of the present application is not intended to be limited to the particular embodiments of the process, machine, manufacture, composition of matter,

means, methods and steps described in the specification. As one of ordinary skill in the art will readily appreciate from the disclosure of the present invention, processes, machines, manufacture, compositions of matter, means, methods, or steps, presently existing or later to be developed, that perform substantially the same function or achieve substantially the same result as the corresponding embodiments described herein may be utilized according to the present invention. Accordingly, the appended claims are intended to include within their scope such processes, machines, manufacture, compositions of matter, means, methods, or steps.

What is claimed is:

1. A frequency generator for generating an oscillator clock according to a reference clock, the frequency generator being used in a frequency hopping system that switches a carrier frequency among a plurality of channels, the carrier frequency further carrying a modulation frequency for data transmission, the frequency generator comprising:

a frequency hopping and modulation control unit, arranged for generating a current channel according to a channel hopping sequence and a frequency command word (FCW) based on the reference clock, wherein the FCW includes:

a first FCW component corresponding to a frequency of a predefined channel;

a second FCW component corresponding to a frequency difference between the predefined channel and the current channel; and

a third FCW component corresponding to the modulation frequency, wherein the modulation frequency is higher than a frequency of the reference clock;

a reference phase generating unit, arranged for generating a reference phase according to the reference clock, a modulation clock, the first FCW, the second FCW, and the third FCW; and

a digital-controlled oscillator (DCO), arranged for generating the oscillator clock according to the reference phase.

2. The frequency generator of claim 1, wherein the reference phase reflects an averaged FCW in a cycle of the reference clock.

3. The frequency generator of claim 2, wherein the reference phase generating unit includes:

an average unit, arranged to obtain an average value of the third FCW component in a cycle of the reference clock.

4. The frequency generator of claim 3, wherein the reference phase generating unit further includes:

a first arithmetic unit, arranged to obtain a summation of the averaged third FCW component, the first FCW component and the second FCW component.

5. The frequency generator of claim 4, wherein the reference phase generating unit further includes:

a first accumulator, arranged to accumulate the summation based on the reference clock.

6. The frequency generator of claim 1, further comprising a second accumulator arranged for generating a variable phase according to the reference clock and the oscillator clock.

7. The frequency generator of claim 6, wherein the variable phase reflects a cycle number of the oscillator clock in a cycle of the reference clock.

8. The frequency generator of claim 1, wherein the FCW is a function of a frequency of the oscillator clock over the frequency of the reference clock.

9. The frequency generator of claim 1, wherein the predefined channel is a middle channel among the plurality of channels.

10. The frequency generator of claim 6, further comprising a second arithmetic unit arranged for generating a phase error by subtracting the variable phase from the reference phase.

11. The frequency generator of claim 10, further comprising a loop filter coupled to the phase error and generating a filtered phase error.

12. The frequency generator of claim 11, wherein the DCO generates the oscillator clock according to the filtered phase error.

13. A frequency generation method for generating an oscillator clock according to a reference clock, the frequency generation method being used for a frequency hopping system that switches a carrier frequency among a plurality of channels, the carrier frequency further carrying a modulation frequency for data transmission, the method comprising:

providing a current channel according to a channel hopping sequence;

generating a frequency command word (FCW) based on the reference clock, wherein the FCW includes:

a first FCW component corresponding to a frequency of a predefined channel;

a second FCW component corresponding to a frequency difference between the predefined channel and the current channel; and

a third FCW component corresponding to the modulation frequency, wherein the modulation frequency is higher than a frequency of the reference clock;

generating a reference phase according to the reference clock, a modulation clock, the first FCW, the second FCW, and the third FCW; and

generating the oscillator clock according to the reference phase.

14. The frequency generation method of claim 13, further comprising:

generating a variable phase reflecting a cycle number of the oscillator clock in a cycle of the reference clock.

15. The frequency generation method of claim 14, further comprising:

generating a phase error by subtracting the variable phase from the reference phase.

16. A frequency generator for generating an oscillator clock according to a reference clock, the frequency generator being used in a frequency hopping system that switches a carrier frequency among a plurality of channels, the carrier frequency further carrying a modulation frequency for data transmission, the frequency generator comprising:

a frequency hopping and modulation control unit, arranged for generating a current channel according to a channel hopping sequence and a frequency command word (FCW) based on the reference clock, wherein the FCW includes:

a first FCW component corresponding to a frequency of a predefined channel;

a second FCW component corresponding to a frequency difference between the predefined channel and the current channel; and

a third FCW component corresponding to the modulation frequency, wherein the modulation frequency is higher than a frequency of the reference clock;

a digital-controlled oscillator (DCO); and

a calibration unit, arranged for generating an estimated DCO normalization value according to the current channel, the reference clock, the modulation clock, the first FCW, the second FCW, and the third FCW;

wherein the DCO generates the oscillator clock according to the estimated DCO normalization value.

17. The frequency generator of claim 16, wherein the estimated DCO normalization value reflects the frequency of the reference clock over an estimated DCO gain of the DCO. 5

18. The frequency generator of claim 17, wherein the calibration unit is a least mean squares (LMS)-based calibration unit.

19. The frequency generator of claim 16, wherein the FCW is a function of a frequency of the oscillator clock over the frequency of the reference clock. 10

20. The frequency generator of claim 16, wherein the predefined channel is a middle channel among the plurality of channels.

* * * * *