



(19) **United States**

(12) **Patent Application Publication**  
**Lin et al.**

(10) **Pub. No.: US 2013/0093469 A1**

(43) **Pub. Date: Apr. 18, 2013**

(54) **FREQUENCY SYNTHESIZER AND ASSOCIATED METHOD**

**Publication Classification**

(75) Inventors: **Ang-Sheng Lin**, Kaohsiung City (TW);  
**Robert Bogdan Staszewski**, Delft (NL);  
**Yi-Hsien Cho**, Zhubei City (TW)

(51) **Int. Cl.**  
**H03B 21/00** (2006.01)

(52) **U.S. Cl.**  
USPC ..... **327/107**

(73) Assignee: **MEDIATEK INC.**, Hsin-Chu (TW)

(57) **ABSTRACT**

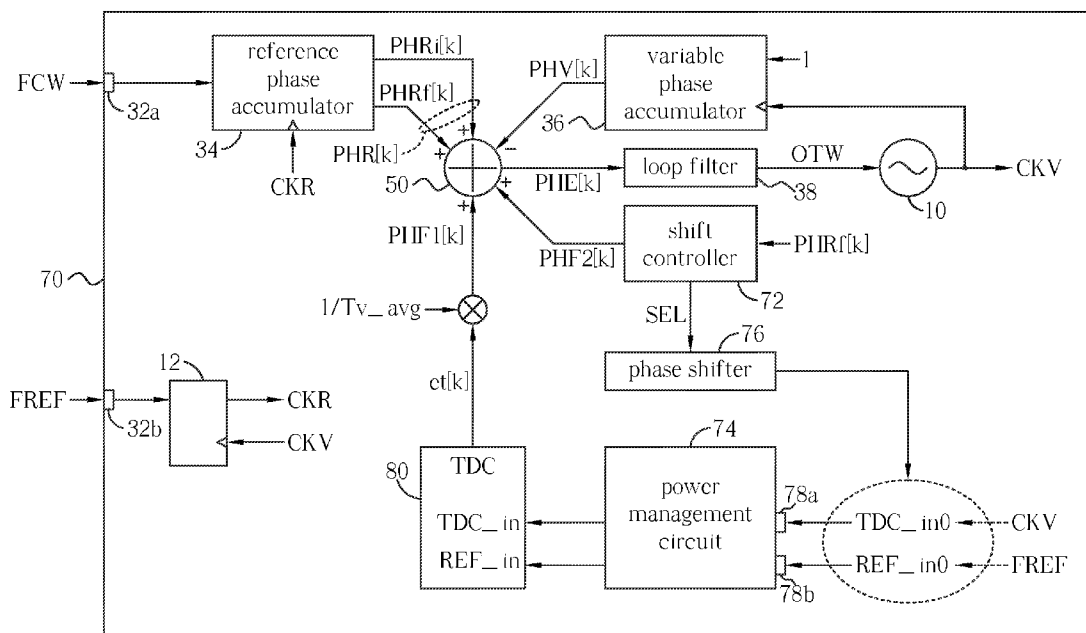
(21) Appl. No.: **13/450,208**

(22) Filed: **Apr. 18, 2012**

A frequency synthesizer includes an oscillator for providing an RF clock, a phase shifter coupled to said oscillator for providing a shifted RF clock by changing phase of said RF clock, and a time-to-digital converter (TDC) coupled to said phase shifter for quantizing a time difference between a frequency reference clock and said shifted RF clock, wherein a range of said TDC covers significantly less than a full range of said RF clock period. An associated method is also provided.

**Related U.S. Application Data**

(60) Provisional application No. 61/548,096, filed on Oct. 17, 2011.



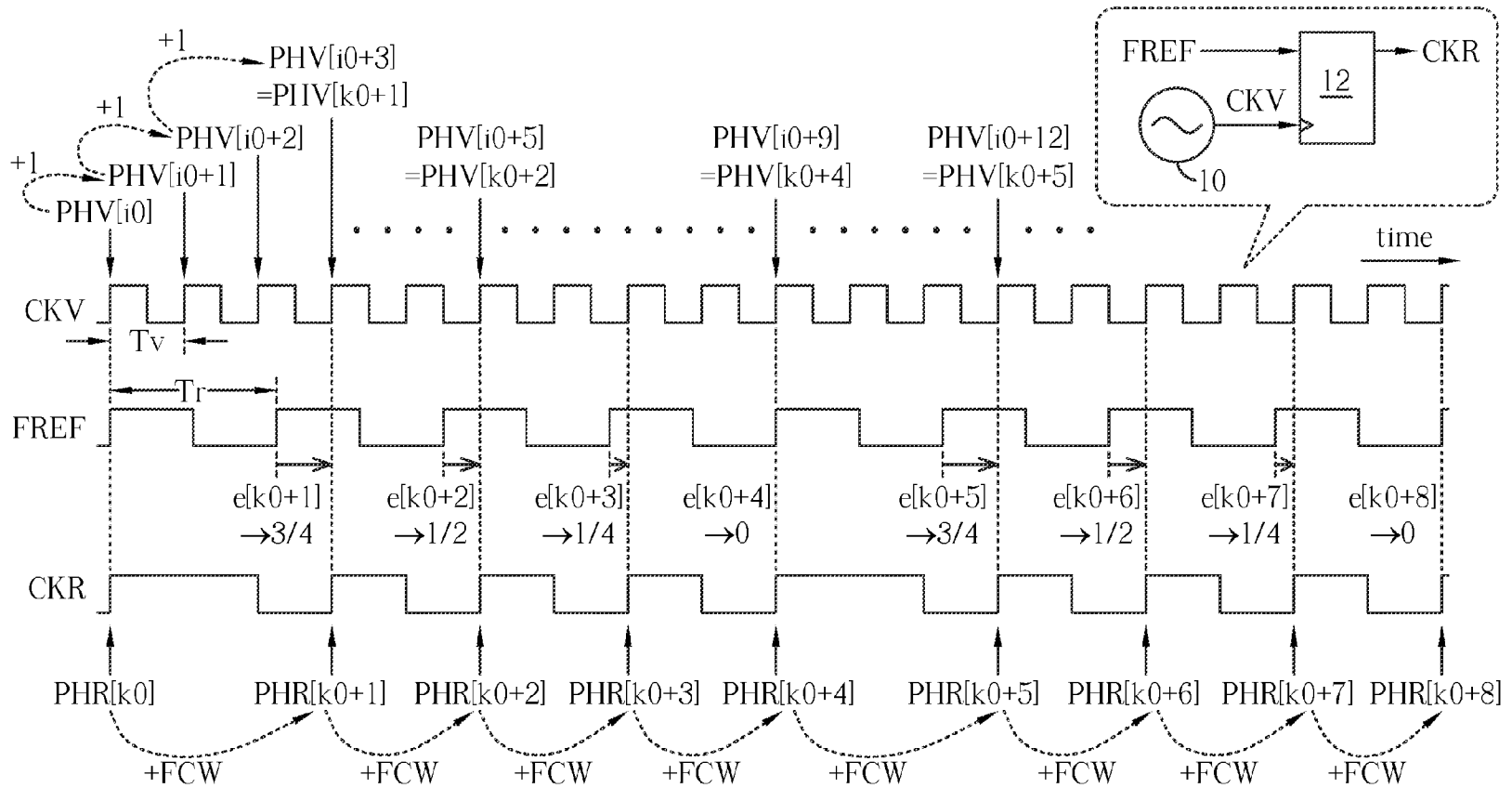


FIG. 1

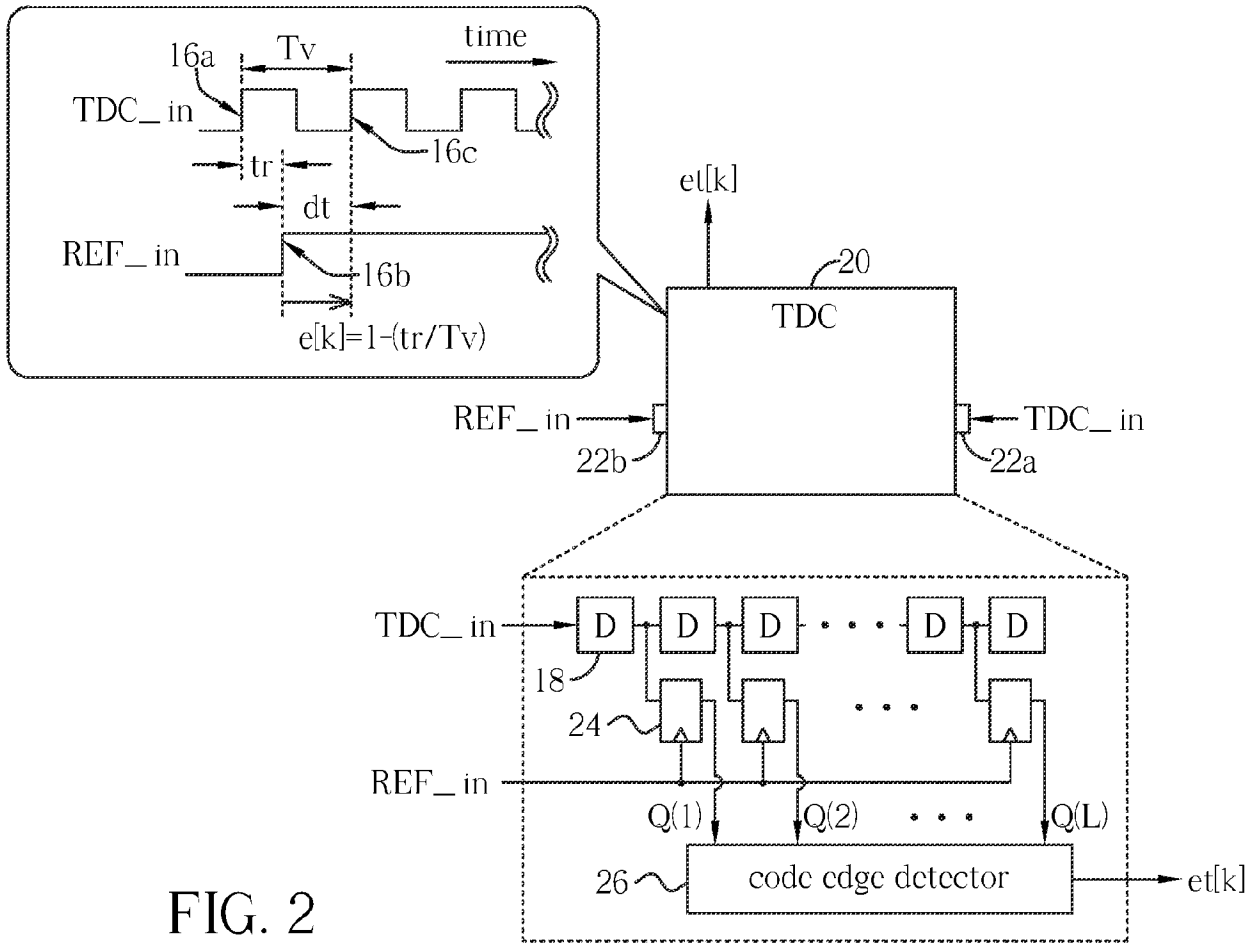


FIG. 2

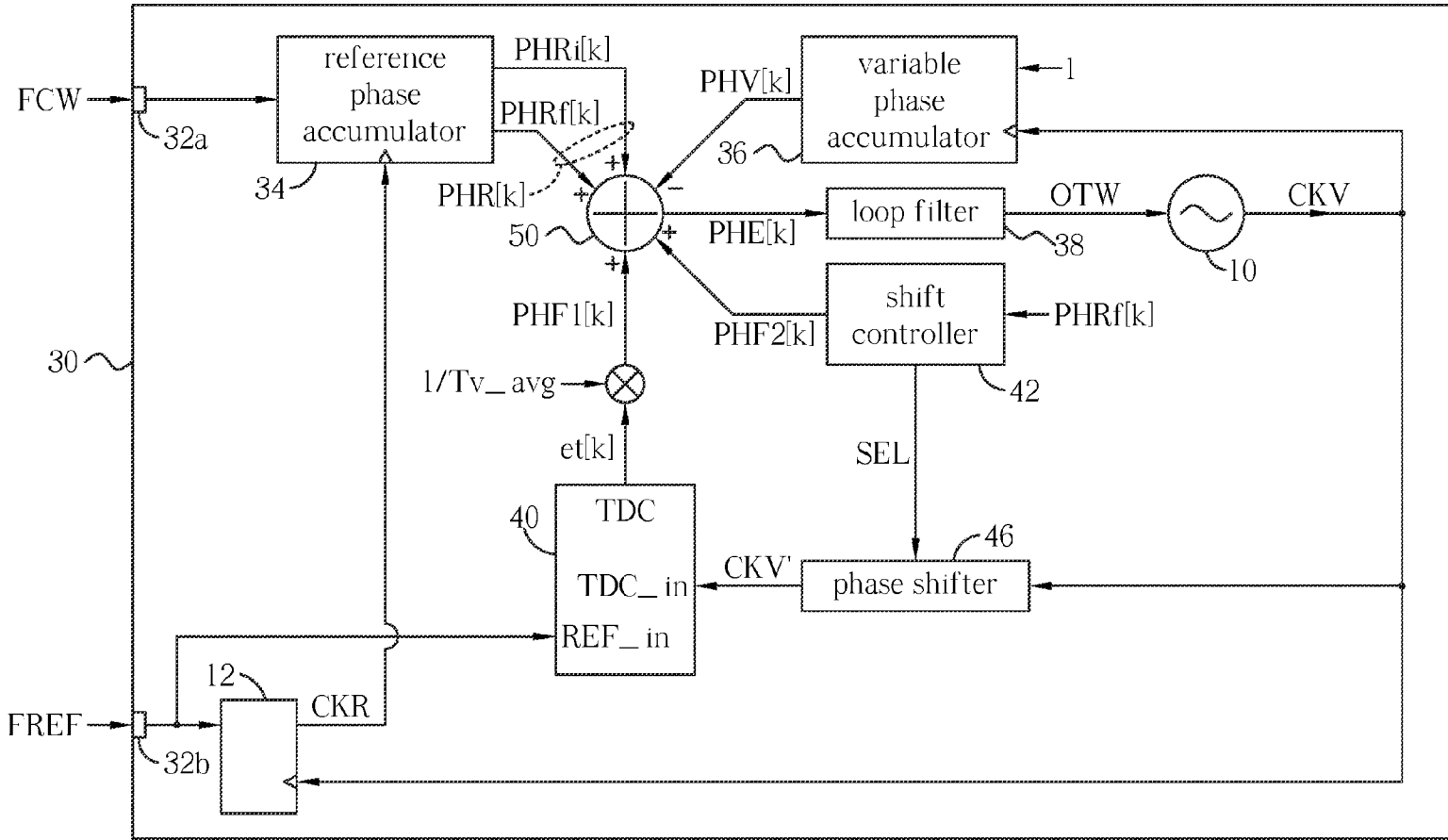


FIG. 3

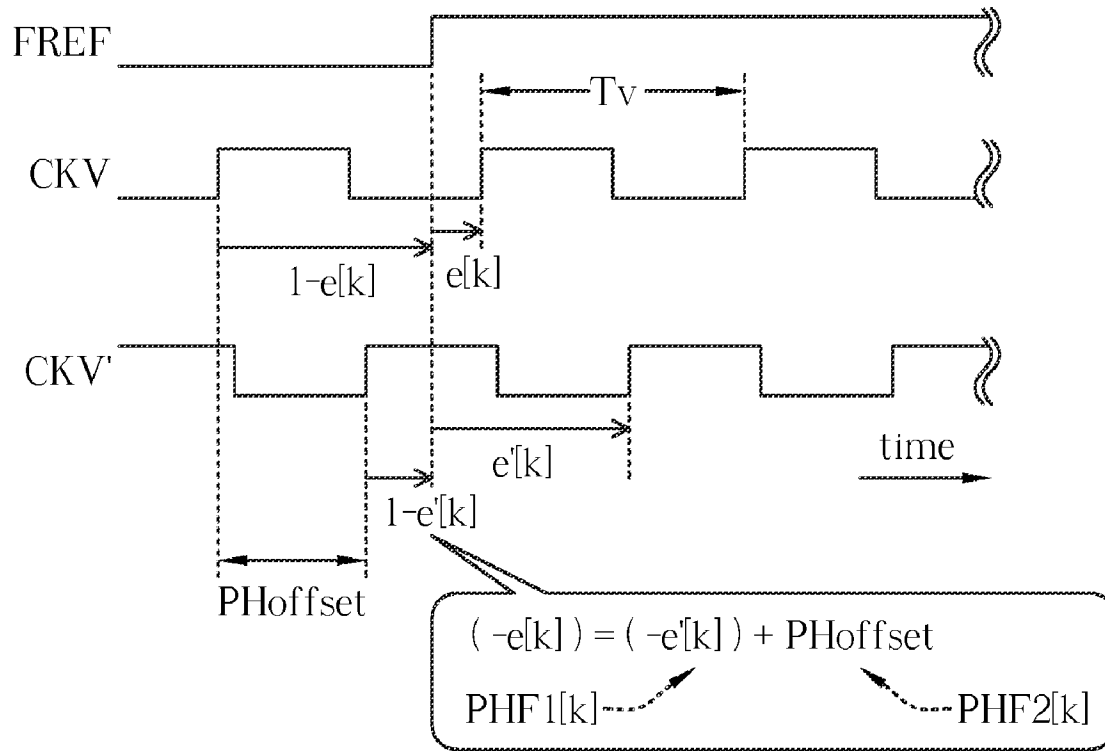


FIG. 4

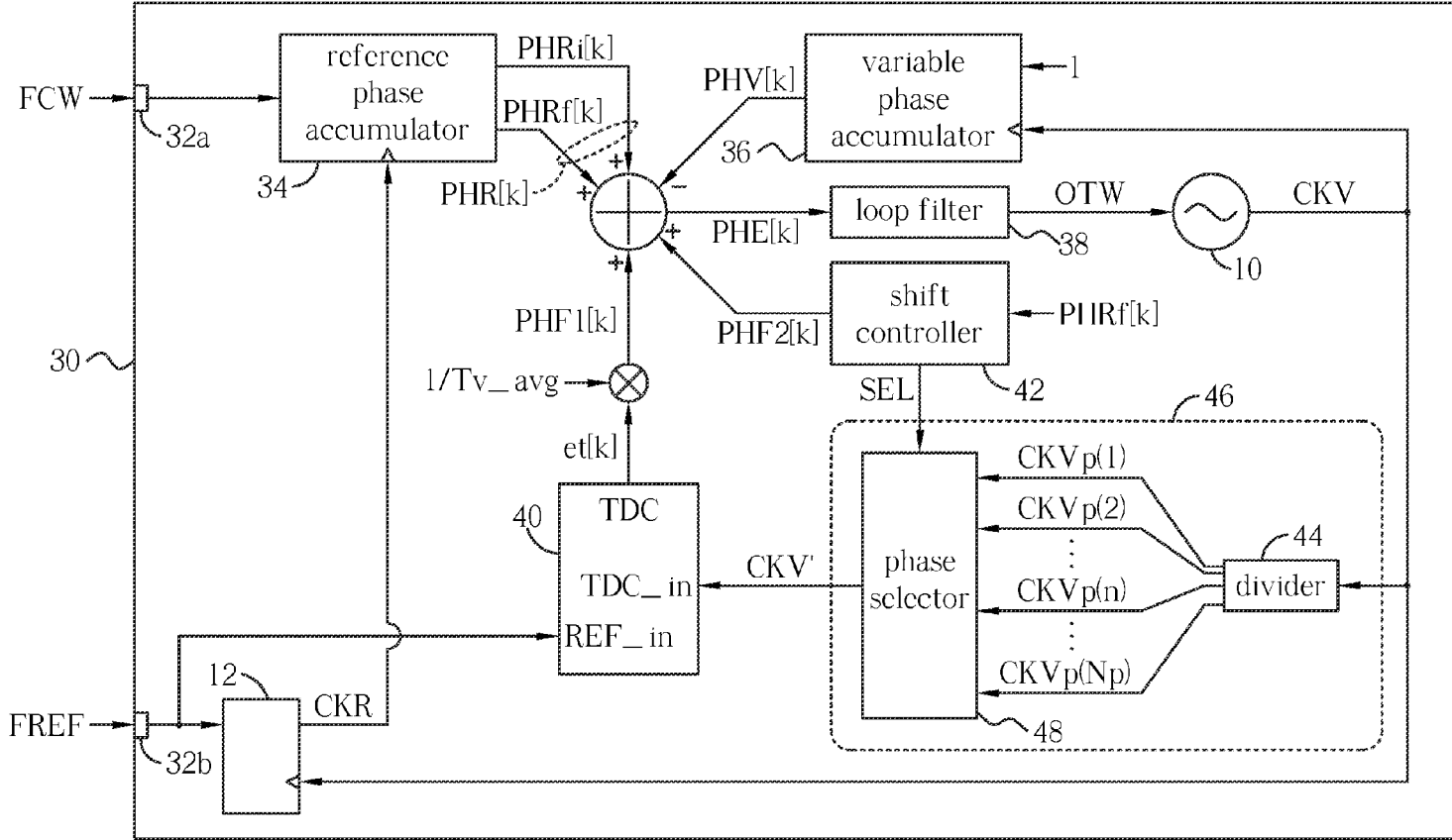


FIG. 5

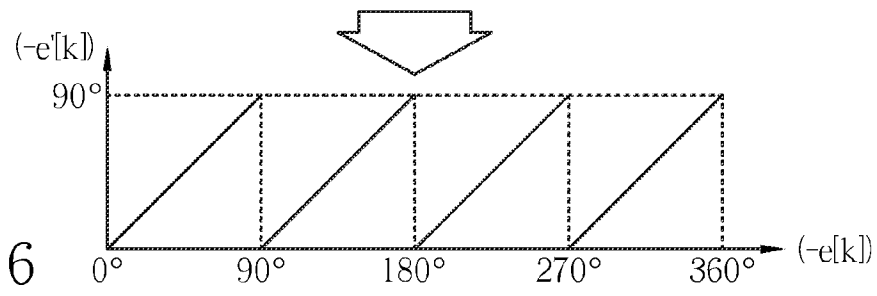
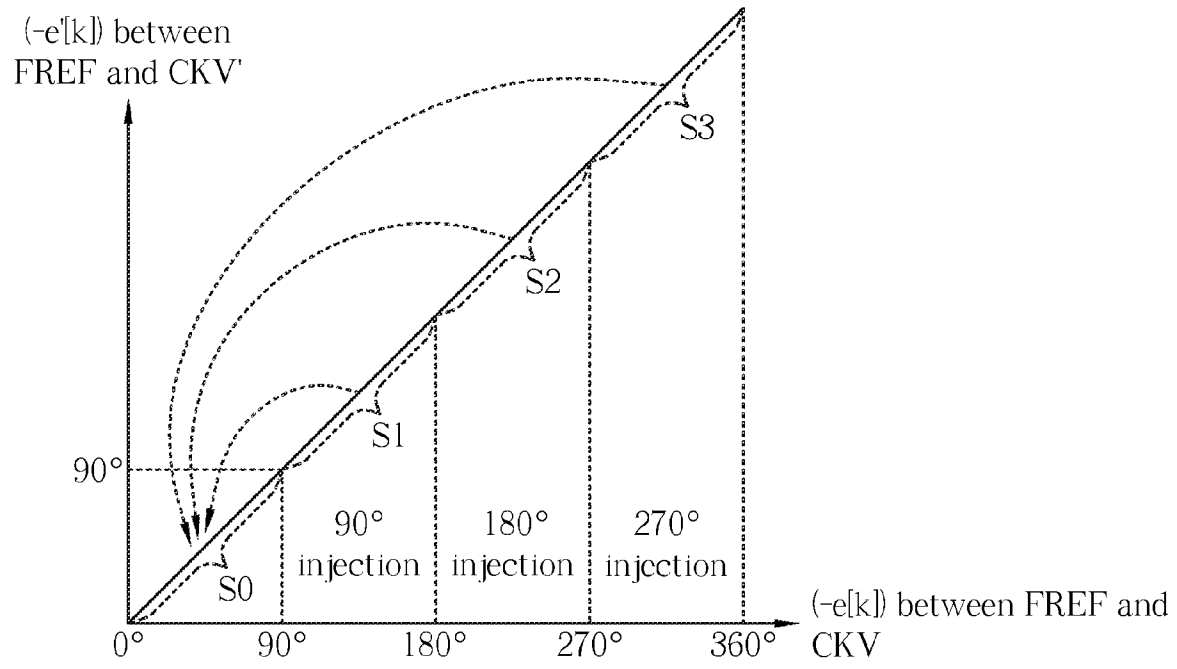


FIG. 6

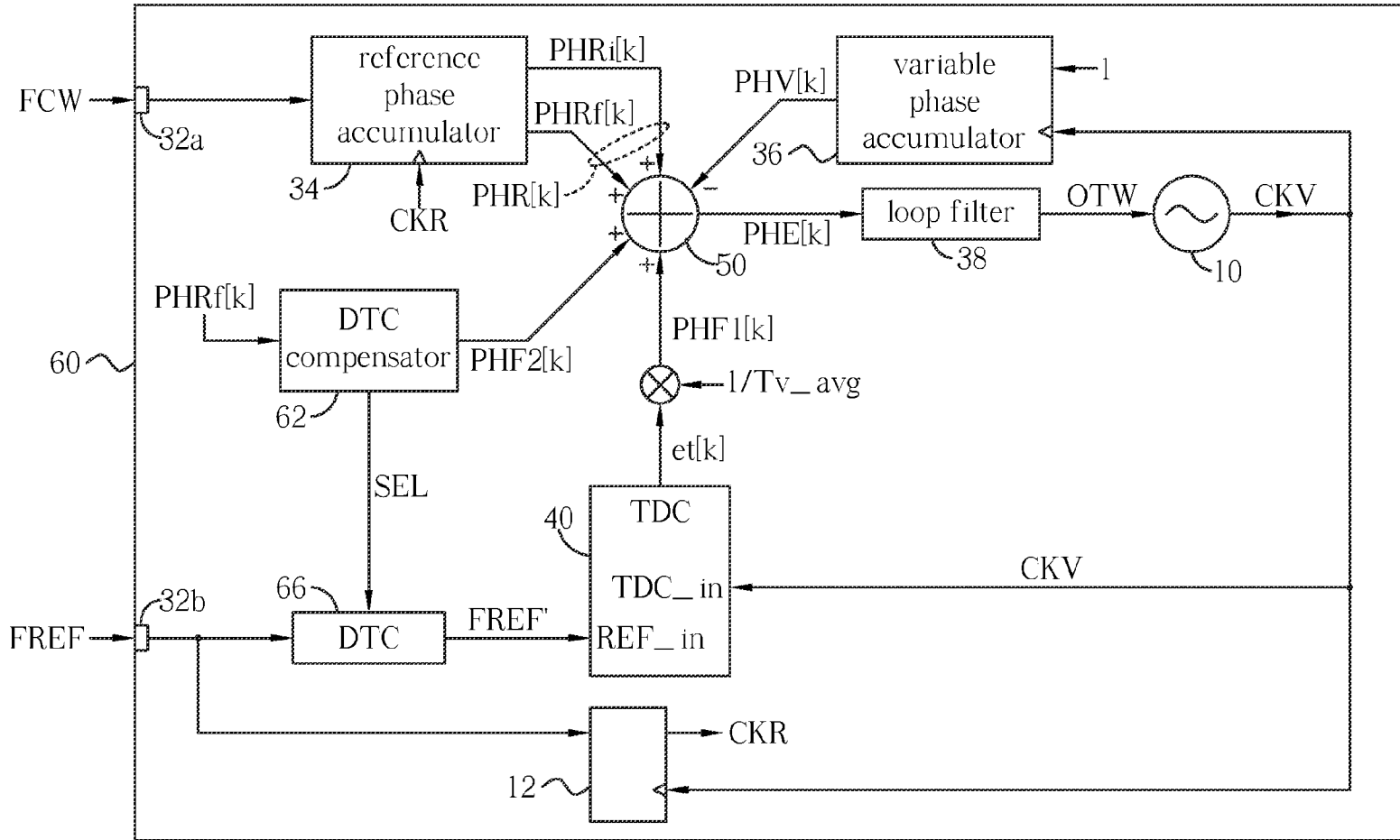


FIG. 7



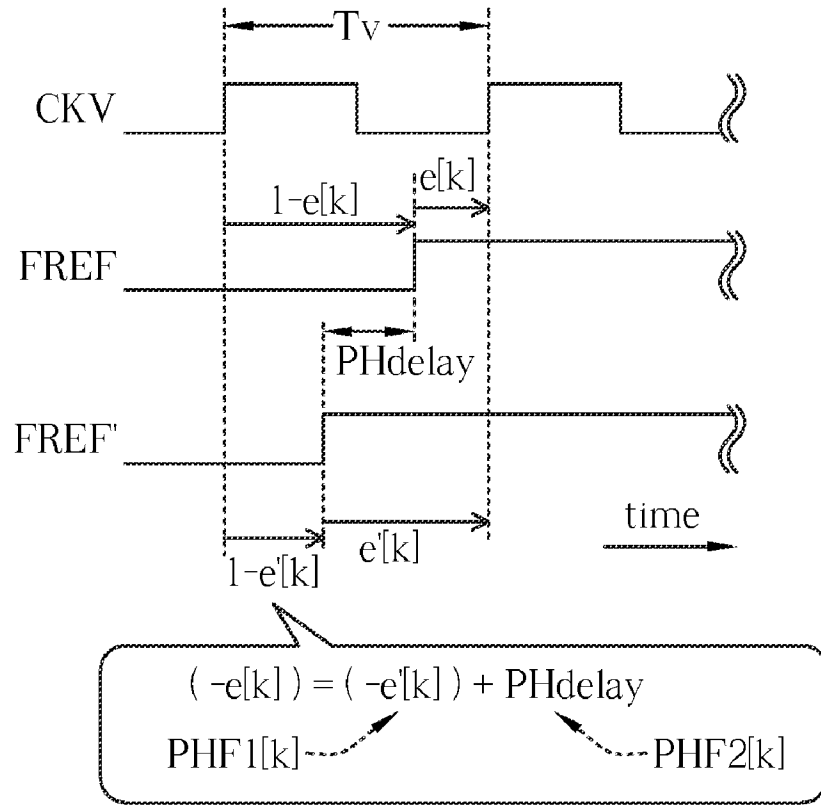


FIG. 8

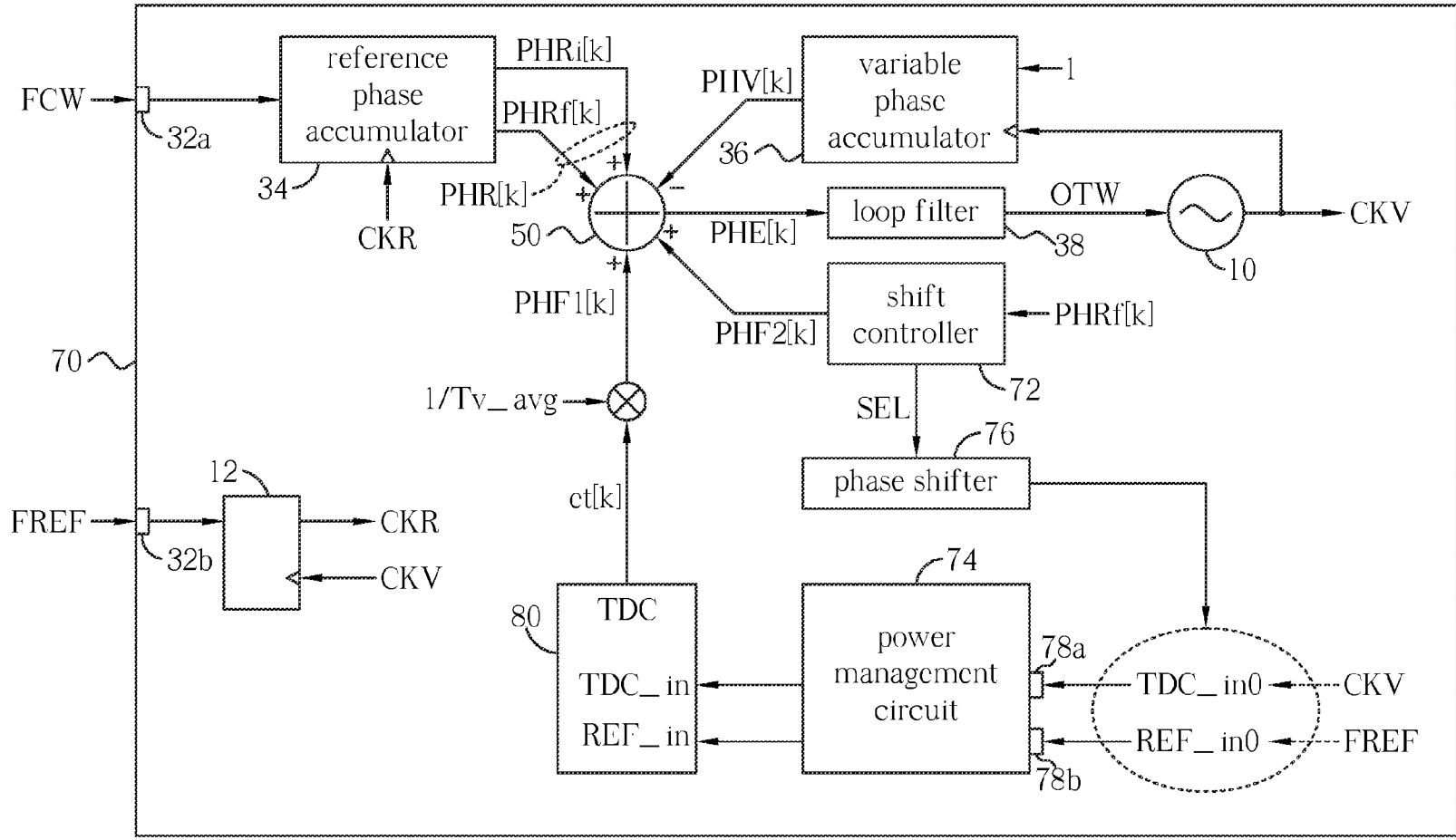


FIG. 9

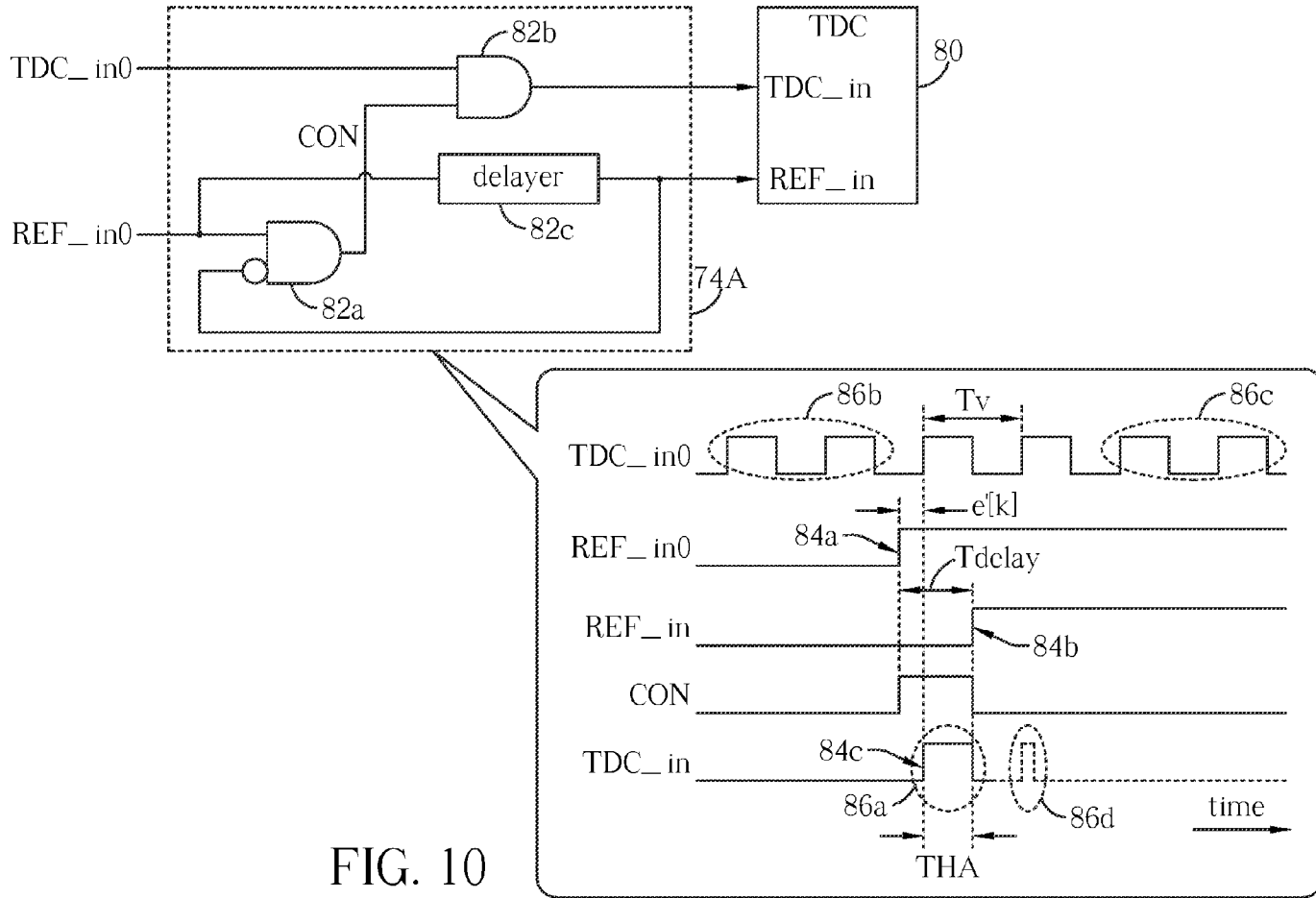


FIG. 10

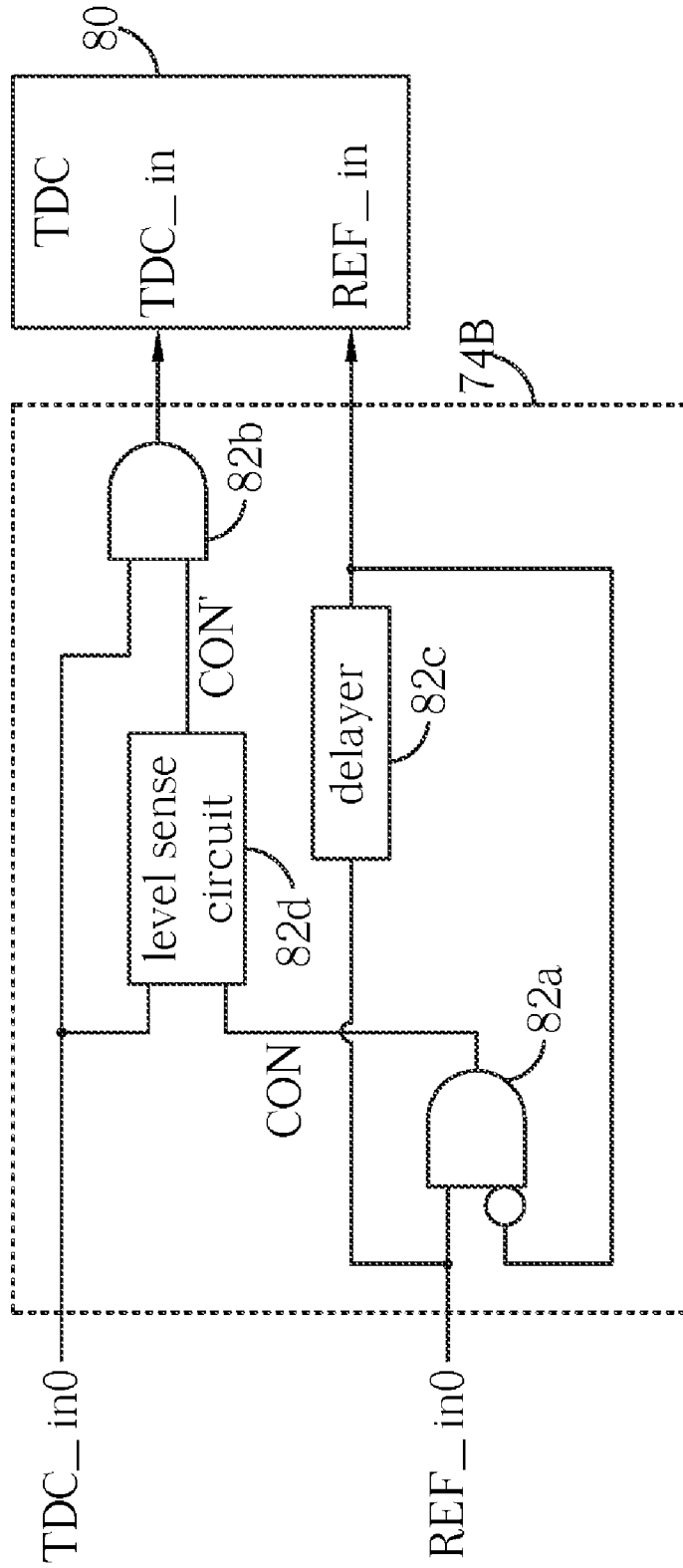


FIG. 11

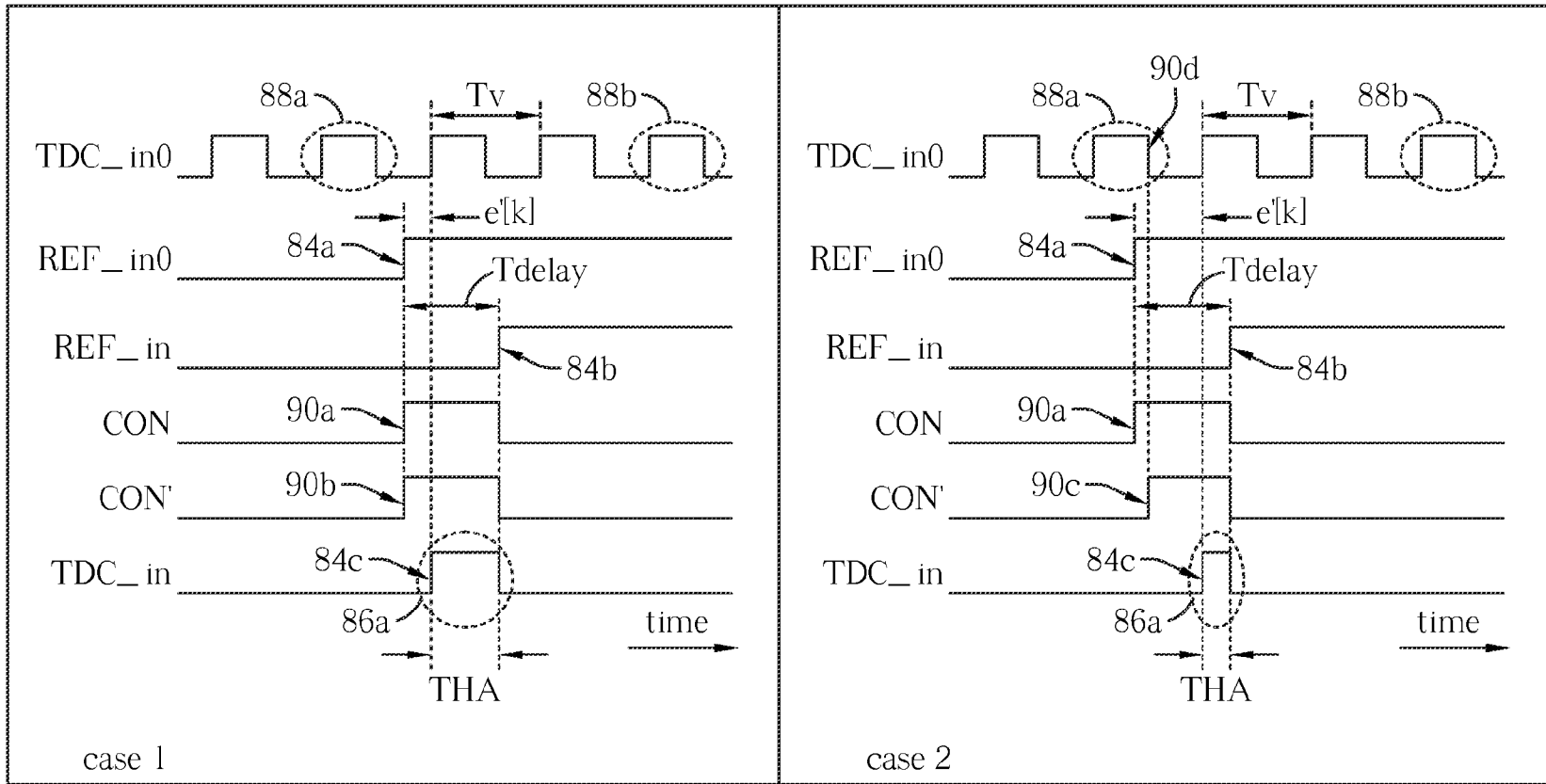


FIG. 12

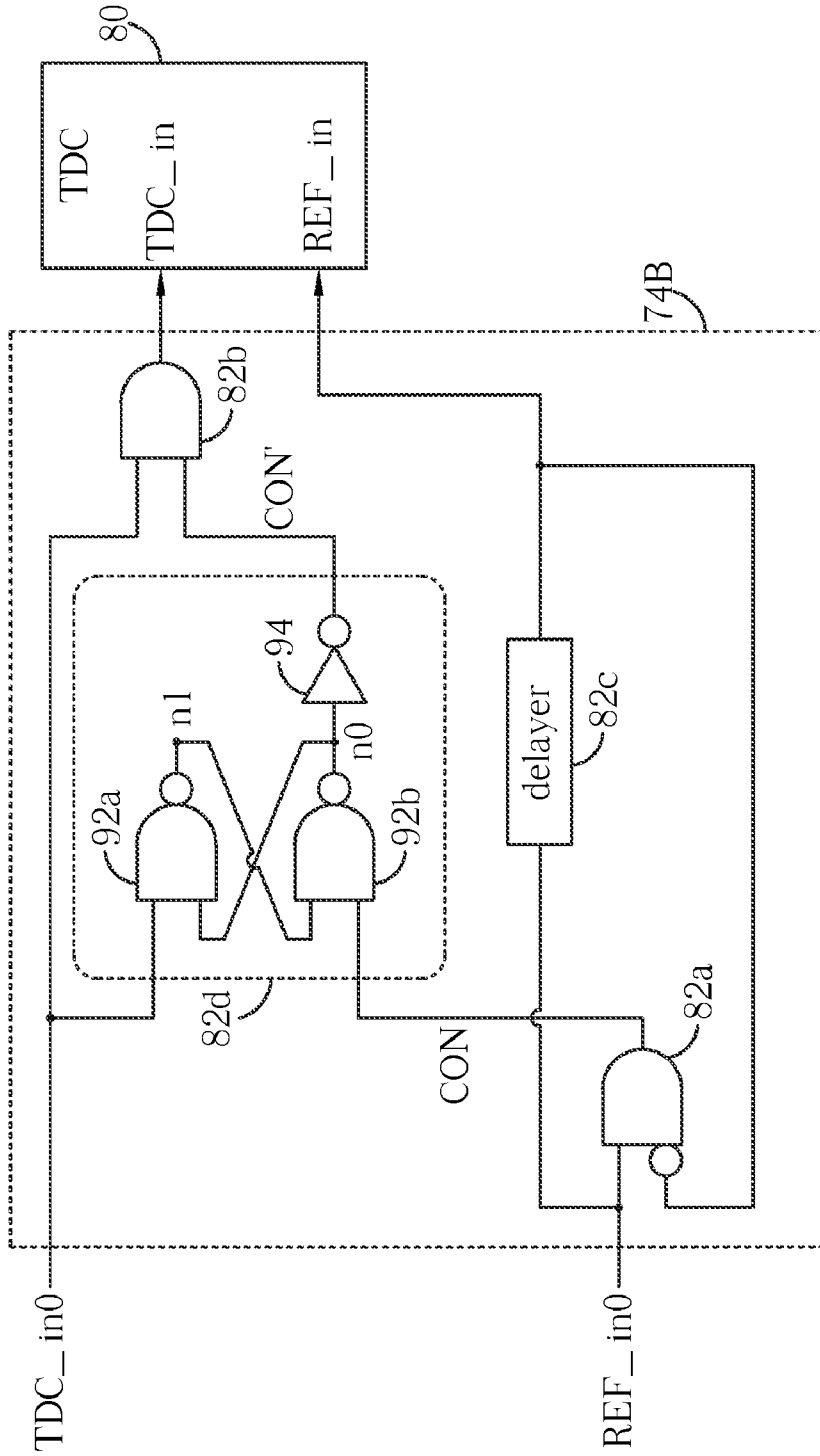


FIG. 13

**FREQUENCY SYNTHESIZER AND ASSOCIATED METHOD**

**[0001]** This application claims the benefit of U.S. provisional application Ser. No. 61/548,096, filed Oct. 17, 2011, the subject matter of which is incorporated herein by reference.

**FIELD OF THE INVENTION**

**[0002]** The present invention relates to frequency synthesizer, and more particularly, to frequency synthesizer including peripheral mechanism supporting time-to-digital conversion with improvement of reduced hardware complexity, lower power consumption, suppressed supply interference, reduced layout area and enhanced linearity, etc.

**BACKGROUND OF THE INVENTION**

**[0003]** Various communication systems, such as wireless communication systems of radio frequency (RF), are broadly adopted and play an important role in modern information society. A core technique for modern communication systems is frequency (and/or clock) synthesis, which generates a variable clock of a desired frequency based on a frequency reference clock, such that stability, accuracy, and spectral purity of the variable clock correlate with performance of the frequency reference clock. In a transmitter, the variable clock provided by a local frequency synthesizer can be utilized as a local oscillation carrier for an up-conversion frequency translation from baseband or intermediate-frequency (IF) signals to RF signals. On the other hand, in a receiver, the variable clock provided by a local frequency synthesizer can be adopted as a local oscillation carrier for a down-conversion from RF signals to IF/baseband signals.

**SUMMARY OF THE INVENTION**

**[0004]** A frequency synthesizer accepts a frequency reference clock and a frequency command word (FCW) for input, and outputs a variable clock in response, such that a frequency of the variable clock is an FCW multiple of the frequency reference clock. A high-speed variable clock of frequency in an order of GHz can therefore be generated based on a stable low-speed frequency reference clock of frequency in an order of tens of MHz, for example.

**[0005]** An embodiment of the invention provides a frequency synthesizer including a frequency reference input for receiving a frequency reference clock, a tuned oscillator for providing an RF clock, a phase shifter coupled to said tuned oscillator and arranged to change phase of said RF clock, and a time-to-digital converter (TDC) coupled to said frequency reference input and said phase shifter; wherein a range of said TDC covers less than a full range of said RF clock period.

**[0006]** In an embodiment, said tuned oscillator outputs multiple phases, e.g., quadrature phases, of said RF clock, and said phase shifter selects one of said multiple/quadrature phases to change phase of said RF clock. In an embodiment, said phase shifter selects one of said phases in response to an accumulated value of an FCW.

**[0007]** In an embodiment, said frequency synthesizer further includes a shift controller, a variable phase accumulator, a reference phase accumulator, and a re-timer. Said phase shifter is arranged to provide a shifted RF clock by changing phase of said RF clock. Said TDC is arranged to provide a first

fractional error correction signal in response to a time difference between said frequency reference clock and said shifted RF clock.

**[0008]** Said variable phase accumulator is coupled to said tuned oscillator, and arranged to accumulate a count of periods of said RF clock and to provide a variable phase signal in response. Said re-timer is arranged to provide a re-timed reference clock by re-timing said frequency reference clock at transitions (e.g., rising edges) of said RF clock. Said reference phase accumulator is arranged to provide said accumulated value of said FCW by accumulating said FCW in response to each period of said frequency reference clock, e.g., at transitions of said re-timed reference clock.

**[0009]** Said shift controller is coupled to said reference phase accumulator and said phase shifter, and arranged to provide a second fractional error correction signal and a shift control signal in response to said accumulated value of said FCW, e.g., according to a fractional part of said accumulated value of said FCW. Said phase shifter is arranged to change phase of said RF clock according to said shift control signal, and said tuned oscillator is arranged to tune periods of said RF clock according to an arithmetic difference between said accumulated value of said FCW and said variable phase signal, and an arithmetic sum of said first and second fractional error correction signals.

**[0010]** In an embodiment, said phase shifter changes phase of said RF clock in such a way that a time difference between a transition of said frequency reference clock and a prior transition of said shifted RF clock is less than said full range of said RF clock period.

**[0011]** In an embodiment, said TDC is arranged to respond when a transition of said changed RF clock and a transition of said frequency reference clock occur in a proximity of said range, and not to respond when transitions of said changed RF clock and transitions of said frequency reference clock do not occur in a proximity of said range.

**[0012]** An embodiment of the invention provides a frequency synthesizer including an oscillator, a phase shifter, a shift controller, a TDC, a reference phase accumulator, a variable phase accumulator and a re-timer. Said oscillator is arranged to provide a variable clock; said phase shifter is coupled to said oscillator, and arranged to provide a shifted variable clock whose phase is arranged to be different from phase of said variable clock by a phase offset, wherein said phase offset is such arranged that a time difference between a transition of a frequency reference clock and a prior transition of said shifted variable clock is less than a period of said variable clock. Said TDC is coupled to said phase shifter and arranged to provide a first fractional error correction signal by quantizing said time difference between said frequency reference clock and said shifted variable clock.

**[0013]** Said re-timer is coupled to said oscillator and said frequency reference clock, and arranged to provide a re-timed reference clock by re-timing said frequency reference clock at transitions of said variable clock. Said reference phase accumulator is coupled to said frequency reference clock and arranged to provide a reference phase signal by accumulating said FCW in response to each period of said frequency reference clock, e.g., at transitions of said re-timed reference clock. Said shift controller is coupled to said phase shifter and arranged to provide a second fractional error correction signal and a shift control signal in response to said reference phase signal.

**[0014]** Said phase shifter is arranged to set said phase offset in response to said reference phase signal; e.g., a fractional part of said reference phase signal. In an embodiment, said phase shifter includes a divider and a phase selector. Said divider is coupled to said oscillator and arranged to provide a plurality of shifted clock candidates of different phases according to said variable clock. Said phase selector is coupled to said divider and said shift controller, and arranged to select one of said shifted clock candidates as said shifted variable clock according to said shift control signal.

**[0015]** Said variable phase accumulator is coupled to said oscillator, and arranged to provide a variable phase signal by accumulating a count of periods of said variable clock. Said oscillator is arranged to tune periods of said variable clock according to said reference phase signal, said variable phase signal, said first fractional error correction signal and said second fractional error correction signal.

**[0016]** An embodiment of the invention provides a frequency synthesizer including an oscillator, a TDC, a shift controller, a phase shifter, a variable phase accumulator and a reference phase accumulator. Said oscillator is arranged to provide a variable clock. Said TDC is arranged to provide a first fractional error correction signal by quantizing a time difference between a frequency reference clock and a shifted variable clock, wherein a phase of said shifted variable clock is arranged to be different from that of said variable clock by a phase offset. Said shift controller is arranged to provide a second fractional error correction signal in response to an accumulated value of FCW. And said oscillator is arranged to tune periods of said variable clock according to said first fractional error correction signal and said second fractional error correction signal, as well as a reference phase signal provided by said reference phase accumulator and a variable phase signal provided by said variable phase accumulator.

**[0017]** An embodiment of the invention provides a method of synthesizing a frequency by providing a variable clock, including: generating said variable clock in response to an oscillator tuning signal; phase shifting said variable clock by a phase offset to obtain a shifted variable clock; and digitizing a timing difference of said shifted variable clock and a frequency reference clock such that a range of said digitizing covers less than a full range of said variable clock period.

**[0018]** In an embodiment, the method further includes: adjusting said phase offset, such that a time difference between a transition of said frequency reference clock and a prior transition of said shifted variable clock is less than or equal to a time difference between a transition of said frequency reference clock and a prior transition of said variable clock.

**[0019]** In an embodiment, the method further includes: obtaining an accumulated value of a frequency command word (FCW) by accumulating said FCW according to periods of said frequency reference clock, and adjusting said phase offset in response to a fractional part of said accumulated value of said FCW; obtaining a first fractional error correction signal in response to said digitizing, obtaining a second fractional error correction signal in response to said phase offset, and adjusting said oscillator tuning signal further in response to said first and second fractional error correction signals. In an embodiment, the method further includes: selecting the phase offset from one of multiple phases of said variable clock.

**[0020]** Numerous objects, features and advantages of the present invention will be readily apparent upon a reading of

the following detailed description of embodiments of the present invention when taken in conjunction with the accompanying drawings. However, the drawings employed herein are for the purpose of descriptions and should not be regarded as limiting.

#### BRIEF DESCRIPTION OF THE DRAWINGS

**[0021]** The above objects and advantages of the present invention will become more readily apparent to those ordinarily skilled in the art after reviewing the following detailed description and accompanying drawings, in which:

**[0022]** FIG. 1 illustrates an embodiment of digitally tracking phases of a variable clock and a frequency reference clock;

**[0023]** FIG. 2 illustrates an embodiment of a TDC;

**[0024]** FIG. 3 and FIG. 4 respectively illustrate a frequency synthesizer and its operation according to an embodiment of the invention;

**[0025]** FIG. 5 and FIG. 6 respectively illustrate a frequency synthesizer and its operation principle according to an embodiment of the invention;

**[0026]** FIG. 7 and FIG. 8 respectively illustrate a frequency synthesizer and its operation according to an embodiment of the invention;

**[0027]** FIG. 9 illustrates a frequency synthesizer according to an embodiment of the invention;

**[0028]** FIG. 10 illustrates an embodiment of the power management circuit in FIG. 9 according to the invention;

**[0029]** FIG. 11 illustrates an embodiment of the power management circuit in FIG. 9 according to the invention;

**[0030]** FIG. 12 illustrates operation examples of the power management circuit in FIG. 11 according to an embodiment of the invention; and

**[0031]** FIG. 13 illustrates an implementation example of the level sense circuit in FIG. 11 according to an embodiment of the invention.

#### DETAILED DESCRIPTION OF PREFERRED EMBODIMENTS

**[0032]** Please refer to FIG. 1 illustrating a conceptual embodiment for digitally tracking phases of a clock CKV and a clock FREF, such that frequency of the clock CKV is an FCW multiple of frequency of the clock FREF. That is, by assigning a corresponding FCW, a clock CKV of a desired frequency is produced based on a clock FREF. The clock FREF is a frequency reference clock of a period  $T_r$ . The clock CKV, generated by an oscillator 10, e.g., a digitally controlled oscillator (DCO), is a variable clock of a period  $T_v$ . For frequency synthesis, the oscillator 10 is tuned so that the clock CKV locks to the clock CKR, so frequency of the clock CKV approaches FCW multiple the clock FREF in the limit, i.e., the average period  $T_v$  equals  $T_r/FCW$ . The FCW is in general a real number with an integer part and a fractional part; in the example of FIG. 1, the FCW is  $9/4$  with an integer part equal to 2 and a fractional part equal to  $1/4$ .

**[0033]** To digitally represent phase of the clock CKV, a signal (e.g., a digital word)  $PHV[i]$  is provided. The signal  $PHV[i]$ , as a variable phase signal, accumulates a unit count at every significant transition (e.g., rising edge) of the clock CKV, i.e.,  $PHV[i+1]=PHV[i]+1$  with index  $i$  indicating a time stamp of the  $i$ -th significant transition of the clock CKV. That is, as time progresses, the variable phase signal  $PHV[i]$  accumulates a count of periods of the clock CKV to reflect phase



of the clock CKV in terms of the period  $T_v$ . The signal  $PHV[i]$  is an integer since it accumulates integers.

**[0034]** While digitally representing phase of the clock FREF, phase information of the clock FREF is synchronized with significant transitions of the clock CKV, so phase information of the clock FREF can be compared with the signal  $PHV[i]$ , which updates at significant transitions of the clock CKV. Therefore, the clock FREF is re-timed to a clock CKR by a re-timer **12** (e.g., a flip-flop). The re-timer **12** is arranged to provide the re-timed reference clock CKR by re-timing the clock FREF at significant transitions of the clock CKV, such that each transition of the clock CKR aligns with a significant transition of the clock CKV. In response to triggering of the clock CKR, a signal  $PHR[k]$  is provided to digitally reflect phase of the clock FREF. The signal  $PHR[k]$ , as a reference phase signal, accumulates the FCW at every significant transition of the clock CKR, i.e.,  $PHR[k+1]=PHR[k]+FCW$ , with index  $k$  indicating a time stamp of the  $k$ -th significant transition of the clock CKR.

**[0035]** As the period  $T_r$  of the clock FREF is expected to be an FCW multiple of the period  $T_v$  of the clock CKV, accumulating FCW on each period of the clock CKR is used to reflect phase of the clock FREF in terms of the period  $T_v$ . Since the FCW generally has a fractional part, the signal  $PHR[k]$  also has a fractional part in general.

**[0036]** Because the clock CKR is re-timed by the clock CKV, each significant transition of the clock CKR aligns with a significant transition of the clock CKV, then the signal  $PHV[k]$ , i.e., the signal  $PHV[i]$  at  $k$ -th significant transition of the clock CKR, can be compared with the signal  $PHR[k]$ . In the example of FIG. 1, the signal  $PHV[i0]$  aligns with the signal  $PHR[k0]$ , and the signal  $PHV[i0+3]=PHV[k0+1]$  synchronizes with the signal  $PHR[k0+1]$ , etc. As shown in FIG. 1, re-timing the clock FREF to the clock CKR by triggering of the clock CKV induces an error  $e[k]$ , representing a time difference (phase error) between a significant transition of the clock FREF and a subsequent significant transition (i.e., the closest significant transition after the significant transition of the clock FREF) of the clock CKV.

**[0037]** In the example of FIG. 1, when the clock CKV locks the clock FREF with the desired relation  $T_v=Tr/FCW$ , every four cycles of the period  $Tr$  will align with every nine cycles of the periods  $T_v$ , since  $FCW=9/4$ . That is, accumulating the FCW four times equals accumulating the unit count nine times, for  $FCW*4=(9/4)*4=1*9$ . Assuming the significant transitions of the clocks FREF and CKV align at the time stamp  $k0$  such that the values of the signals  $PHR[k0]$  and  $PHV[i0]$  are equal, then, after four cycles of the clock CKR, the significant transitions of the clocks FREF and CKV align again, and the value of the signal  $PHR[k0+4]$  also meets the value of the signal  $PHV[i0+9]$  (i.e.,  $PHV[k0+4]$ ), because  $PHR[k0+4]=PHR[k0]+FCW*4$ , and  $PHV[i0+9]=PHV[i0]+1*9$ . On the other hand, owing to the fractional part of the FCW, the time difference between a significant transition of the clock FREF and a subsequent significant transition of the clock CKV is non-zero at each time stamp  $k$  between the time stamps  $k0$  and  $(k0+4)$  even when the clock CKV locks to the clock FREF, and the time difference is reflected by an arithmetic difference between the signals  $PHV[k]$  and  $PHR[k]$ . For example, at the time stamp  $(k0+1)$ , the significant transition of the clock FREF is ahead of the subsequent significant transition of the clock CKV by  $(3/4)*T_v$  when the clock CKV locks the clock FREF, and the arithmetic difference between signals  $PHV[k0+1]$  and  $PHR[k0+1]$  indicates the time differ-

ence by  $(PHV[k0+1]-PHR[k0+1])=(3-9/4)=3/4$ . Similarly, at the time stamp  $(k0+2)$ , the “misalignment” of  $(1/2)*T_v$  between the significant transitions of the clock FREF and CKV is reflected by  $(PHV[k0+2]-PHR[k0+2])=(5-18/4)=2/4=(1/2)$ .

**[0038]** As the time stamp  $k$  progresses, the difference  $(PHV[k]-PHR[k])$  between the signals  $PHV[k]$  and  $PHR[k]$  varies regularly and periodically, and reflects a deterministic time difference (phase error) between (the significant transitions of) the clocks FREF and CKV in terms of the period  $T_v$ . Hence, the difference  $(PHV[k]-PHR[k])$  becomes a deterministic part of the error  $e[k]$ , reflecting a regular phase error due to the fractional part of the FCW. That is, when the clock CKV locks the clock FREF, the error  $e[k]$  equals  $(PHV[k]-PHR[k])$ , or  $PHR[k]+e[k]-PHV[k]=0$ .

**[0039]** The regular misalignment between the significant transition of the clock FREF and the subsequent significant transition of the clock CKV is in a range of one period  $T_v$ ; equivalently, the difference  $(PHV[k]-PHR[k])$ , which leads to the deterministic part of the error  $e[k]$ , is a fractional number in general (or equal to zero). Since the signal  $PHV[k]$  is an integer, the deterministic part of the error  $e[k]$  is related to the fractional part of the  $PHR[k]$ . For practical application, the error  $e[k]$  also includes a fluctuating part of random nature, reflecting stochastic phase error due to noise of the oscillator **10**, etc.

**[0040]** To be more general, let the FCW be expressed by  $N_v/N_r$  with  $N_v$  and  $N_r$  being integers and  $N_v$  not an integer multiple of  $N_r$ , then the deterministic part of the error  $e[k]$  periodically repeats every  $N_r$  cycles of the clock CKR; that is, the deterministic parts of the errors  $e[k]$  and  $e[k+N_r]$  are equal, and can be predicted according to the fractional part of the accumulated value of the FCW (i.e., the signal  $PHR[k]$ ) and the signal  $PHV[k]$ . Assuming the signals  $PHV[k0]$  and  $PHR[k0]$  are equal at the time stamp  $k0$ , tuning the oscillator **10** to match integer part of the signal  $PHR[k]$  and the integer-valued signal  $PHV[k]$  every  $N_r$  cycles of the clock CKR (e.g., at time stamps  $k0$  and  $(k0+N_r)$ , etc) suggests a frequency lock. However, as  $N_r$  cycles of the clock CKR covers many cycles of the clock CKV, the period  $T_v$  of the clock CKV drifts or wanders if the error  $e[k]$  is not fully monitored during these  $N_r$  cycles of the clock CKR. For a finer phase lock, a time-to-digital converter (TDC) is therefore adopted to digitally detect the error  $e[k]$  every cycle of the clock CKR, so the oscillator **10** can be tuned according to a digital TDC output of the TDC to ensure  $(PHR[k]+e[k]-PHV[k])$  approaches zero at each time stamp  $k$ .

**[0041]** Please refer to FIG. 2 illustrating an embodiment of a TDC **20**. The TDC **20** is coupled to two inputs **22a** and **22b** for respectively receiving two signals  $TDC\_in$  and  $REF\_in$ , and outputs a signal  $et[k]$  as a digital TDC output. While the TDC **20** is adopted to detect the error  $e[k]$  shown in FIG. 1, the clocks FREF and CKV are respectively received as the signals  $REF\_in$  and  $TDC\_in$ . The TDC **20** is arranged to preferably quantize a time difference  $dt$  between a significant transition **16b** of the signal  $REF\_in$  and a subsequent transition **16c** of the signal  $TDC\_in$ , thus the error  $e[k]$  is represented by the digital signal  $et[k]$ . In an embodiment, the TDC **20** is a causal system; hence it cannot ‘see’ the next edge **16c** of the variable clock at the time of the rising edge **16b** of  $REF\_in$  clock. Consequently, the desired measurement is performed indirectly by subtracting a time  $tr$  value from the period  $T_v$ . In an embodiment, the rising time  $tr$  between a significant transition **16a** of the signal  $TDC\_in$  and the subsequent signifi-

cant transition **16b** of the signal REF\_in is measured and quantized; since  $dt=(T_v-tr)$ , the error  $e[k]$  is derived as  $e[k]=(dt/T_v)=(1-(tr/T_v))$ . Note that in the embodiment, TDC **20** does not generate  $e[k]$  directly but a quantized value of  $tr$ , which is then divided by the  $T_v$  period or multiplied by  $1/T_{v\_avg}$ . Hence, the direct TDC output is a quantized value of  $tr/T_v$ , which corresponds to a negative of the error  $e[k]$ . It should be appreciated by one skilled in the art that the negation operation is easily achieved by inverting a sign of the adder **50** input (discussed in FIG. 3). Hence, minimizing  $tr$ , which is the timing separation between TDC **20** inputs REF\_in and TDC\_in, is equivalent to maximizing  $e[k]$  (which cannot be greater than 1). Since the constant '1' in  $(1-e[k])$  is easily absorbed in the PLL system,  $(1-e[k])$  can be conveniently denoted as  $-e[k]$ . This way the timing separation between the significant transition **16b** of the signal REF\_in and the following significant transition **16c** of the signal TDC\_in (denoted as  $e[k]$ ) and the prior significant transition **16a** of the signal TDC\_in (denoted as  $-e[k]$ ) can be both used depending on convenience.

**[0042]** An embodiment of the TDC **20** includes a plurality (e.g., a number  $L$ ) of serially connected delay units **18** (e.g., inverters), a plurality of flip-flops **24** triggered by the signal REF\_in, and a code edge detector **26**. Each delay unit **18** imposes a unit delay time  $t_{inv}$  to the signal TDC\_in, and outputs the delayed signal to a corresponding flip-flop **24** and a next delay unit **18**. When the significant transition of the signal REF\_in triggers the flip-flops **24** to obtain a code of bits  $Q(1), Q(2), \dots, Q(L)$ , occurrence of the significant transition **16a** is reflected by a code edge in the code of the bits  $Q(1)$  to  $Q(L)$ , and the rise time  $tr$  is quantized in terms of the unit delay time  $t_{inv}$  by the code edge detector **26** and outputted as the signal  $et[k]$ . That is, a time quantization resolution of the TDC **20** is determined by the unit delay time  $t_{inv}$  of each delay unit **18**. The total number  $L$  of the delay unit **18** determines a measuring range (a TDC range) of the TDC **20**; the TDC range of the TDC is approximately  $L*t_{inv}$ . A time interval shorter than the TDC range can be measured, and a time interval longer than the TDC range is not detected by the TDC **20**. While the TDC **20** is used to detect the error  $e[k]$  shown in FIG. 1, the TDC range should cover a full range of the period  $T_v$ .

**[0043]** To detect the error  $e[k]$  in finer resolution for better quality of the clock CKV, the unit delay time  $t_{inv}$  is set much shorter than the period  $T_v$ . Consequently, the TDC **20** needs a much larger number  $L$  of the delay unit **18** to cover a TDC range of the period  $T_v$ . For example, to cover a period of 2.4 GHz with 7 ps resolution, about sixty delay units **18** are applied to implement the TDC **20**. As more delay units **18** are adopted, more power is consumed, and more supply interference (e.g., fluctuation and/or drop of supply voltages) is induced. To settle high supply interference, decoupling capacitors of large area must be utilized, and area to implement an effective TDC is therefore increased. Moreover, high supply interference degrades linearity of time-to-digital conversion, since amount of the unit delay time  $t_{inv}$  drifts when supply voltages fluctuate. Therefore, supporting peripherals to reduce required delay units and to enhance linearity of TDC are demanded.

**[0044]** Please refer to FIG. 3 illustrating a frequency synthesizer **30** according to an embodiment of the invention. The frequency synthesizer **30** has an FCW input **32a** for receiving FCW, a frequency reference input **32b** for receiving a frequency reference clock FREF, a reference phase accumulator

**34**, a variable phase accumulator **36**, a loop filter **38**, an oscillator **10**, a phase shifter **46**, a shift controller **42**, a TDC **40**, an adder **50** and a re-timer **12**. The oscillator **10** is arranged to provide a variable clock CKV, e.g., an RF clock, in response to an oscillator tuning word (OTW), such that the frequency of the variable clock CKV is FCW multiple of the frequency reference clock FREF when the variable clock CKV locks to the frequency reference clock FREF.

**[0045]** The re-timer **12** is coupled to the oscillator **10** and the frequency reference clock FREF, and arranged to provide a re-timed reference clock CKR by re-timing the frequency reference clock FREF at significant transitions (e.g., rising edges) of the variable clock CKV. The reference phase accumulator **34** is coupled to the frequency reference clock FREF through the frequency reference input **32b**, and arranged to provide a reference phase signal PHR[k] by accumulating the FCW in response to each period of the frequency reference clock FREF, e.g., at significant transitions of the re-timed reference clock CKR. In FIG. 3, the reference phase signal PHR[k] is decomposed to a fractional part PHRf[k] and an integer part PHRi[k]. The variable phase accumulator **36** is coupled to the oscillator **10**, and arranged to provide a variable phase signal PHV[k] by accumulating a count of periods of the variable clock CKV.

**[0046]** The phase shifter **46** is coupled to the oscillator **10** and the shift controller **42**, and arranged to provide a shifted variable clock CKV' by changing phase of the variable clock CKV in response to a shift control signal SEL. Alternatively, the phase shifter **46** could perform phase changing by selecting one of a multiple of CKV phases. The generation of the multiple phases could be done internally to the phase shifter **46**. The TDC **40** functions similar to the TDC **20** shown in FIG. 2; the TDC **40** is coupled to the phase shifter **46** and the frequency reference input **32b**, arranged to receive the frequency reference clock FREF and the shifted variable clock CKV' as the signals REF\_in and TDC\_in, and arranged to provide a fractional error correction signal PHF1[k] in response to a time difference between the frequency reference clock FREF and the shifted variable clock CKV'. That is, the TDC **40** is arranged to detect (quantize) the time difference between a significant transition of the frequency reference clock FREF and a subsequent significant transition of the shifted variable clock CKV', and provide a signal  $et[k]$  to reflect the detected time difference; then the fractional error correction signal PHF1[k], indicating the time difference in terms of the period  $T_v$  of the variable clock CKV, is provided by normalizing the signal  $et[k]$  to an averaged period  $T_{v\_avg}$ , which is a long-term average of the periods of the variable clock CKV, since the period  $T_v$  is in general a time-varying value.

**[0047]** To cooperate with the phase shifter **46**, the shift controller **42** is coupled to the phase shifter **46** and arranged to provide the shift control signal SEL and another fractional error correction signal PHF2[k]. The adder **50** is coupled to the variable phase accumulator **36**, the reference phase accumulator **34**, the shift controller **42** and the TDC **40**, and arranged to provide a signal PHE[k] in response to an arithmetic combination  $(PHR[k]+PHF1[k]+PHF2[k]-PHV[k])$  of the reference phase signal PHR[k], the variable phase signal PHV[k] and the fractional error correction signals PHF1[k] and PHF2[k]. The loop filter **38** is coupled between the oscillator **10** and the adder **50**, and arranged to provide the OTW in response to the signal PHE[k]. Thus, through the OTW, the oscillator **10** is arranged to tune periods of said

variable clock CKV according to the reference phase signal PHR[k], the variable phase signal PHV[k] and the fractional error correction signals PHF1[k] and PHF2[k].

**[0048]** Please refer to FIG. 4 illustrating TDC operation of the frequency synthesizer 30 according to an embodiment of the invention. The phase shifter 46 (FIG. 3) is arranged to induce a phase offset PHoffset between the variable clock CKV and the shifted variable clock CKV'. With the phase offset PHoffset, the error  $(1-e[k])$  between the frequency reference clock FREF and the previous variable clock CKV is decreased to a shorter error  $(1-e'[k])$ , i.e., decreased the timing separation between the frequency reference clock FREF and the shifted variable clock CKV', with  $-e[k]=-e'[k]+PHoffset$ . In other words, the phase offset PHoffset is such arranged that a time difference between a significant transition of the frequency reference clock FREF and a previous significant transition of the shifted variable clock CKV' is significantly less than a period Tv of the variable clock CKV; i.e., the error  $-e'[k]$  never grows larger than a portion of the period Tv. As the shifted variable clock CKV' and the frequency reference clock FREF are respectively received as the signals TDC\_in and REF\_in, the TDC 40 only needs to quantize the error  $-e'[k]$  significantly shorter than the period Tv. In other words, the TDC range of the TDC 40 just needs to cover a portion of one period Tv, instead of full range of the period Tv. The TDC 40 is arranged to respond only when a significant transition of the shifted variable clock CKV' and a significant transition of the frequency reference clock FREF occur in a proximity of the TDC range; the TDC 40 does not have to respond when significant transitions of the shifted variable clock CKV' and significant transitions of the frequency reference clock FREF do not occur in a proximity of the TDC range. Since the required TDC range is decreased, the TDC 40 benefit from lower quantity of required delay units; hardware complexity, power consumption, layout area, supply interference and linearity degradation of TDC 40 are then reduced without compromising TDC resolution.

**[0049]** As discussed in FIG. 1, the error  $e[k]$  includes a time-varying but predictable deterministic part corresponding to  $(PHR[k]-PHV[k])$ . Based on the regularly varying deterministic part of the error  $-e[k]$ , the shift controller 42 dynamically sets the phase offset PHoffset by the shift control signal SEL, such that the phase offset PHoffset is subtracted from the deterministic part of the error  $-e[k]$  to become the error  $-e'[k]$ . For example, when the deterministic part of the error  $-e[k]$  is predicted to be in a range of  $1/4$  (equivalent to a phase of 90 degrees) to  $1/2$  (180 degrees), the phase offset PHoffset can be set to 90 degrees (equivalent to  $1/4$ ), hence the error  $-e'[k]$  is maintained in a range of 0 to  $1/4$ . Similarly, as time progresses, when the deterministic part of the error  $-e[k]$  enters a range of  $1/2$  to  $3/4$ , the phase offset PHoffset tracks to be set to 180 degrees ( $1/2$  in terms of the period Tv), so the error  $-e'[k]$  is kept in a range of 0 to  $1/4$ . To compensate the subtracted phase offset PHoffset, the shift controller 42 injects the fractional error correction signal PHF2[k] to the adder 50 to reflect the phase offset PHoffset; with the fractional error correction signal PHF1[k] indicating the quantized error  $-e'[k]$ , the error  $-e[k]$  is obtained by  $-e[k]=(PHF1[k]+PHF2[k])$ , corresponding to  $-e[k]=(-e'[k]+PHoffset)$ . Then frequency synthesis is accomplished as the oscillator 10 tunes periods of the variable clock CKV to minimize (assuming type-II PLL) value of the signal PHE[k], i.e., minimize  $(PHR[k]-PHV[k]+e[k])=(PHR[k]-PHV[k]+PHF1[k]+$

PHF2[k]). In other words, the frequency synthesizer 30 can be analogous to an all-digital phase lock loop (ADPLL).

**[0050]** In an embodiment, the variable phase signal PHV[k], an integer, is a fixed point digital word of WI bits. The reference phase signal PHR[k] is a fixed point digital word of  $(WI+WF)$  bits combining an integer part of WI bits and a fractional part of WF bits. Each of the fractional error correction signals PHF1[k] and PHF2[k] is a fractional represented by a fixed point digital word of WF bits. The signal PHE[k] is a signed fixed point digital word of  $(WI+WF)$  bits including an integer part of WI bits and a fractional part of WF bits.

**[0051]** Please refer to FIG. 5 illustrating an example of the phase shifter 46 according to an embodiment of the invention. In FIG. 5, the phase shifter 46 includes a divider 44 and a phase selector 48. The divider 44 is coupled to the oscillator 10, and arranged to divide the frequency of the variable clock CKV and to provide a plurality of shifted clock candidates CKVp(1), CKVp(2), ..., CKVp(n) to CKVp(Np) of different phases according to the variable clock CKV. For example, phase of the shifted clock candidate CKVp(n) is  $(n-1)*360/Np$  degrees different from phase of the shifted clock candidate CKVp(1). The phase selector is coupled to the divider 44 and the shift controller 42, and arranged to select one of the shifted clock candidates CKVp(1) to CKVp(Np) as the shifted variable clock CKV' in response to the shift control signal SEL of the shift controller 42.

**[0052]** In an embodiment, the divider 44 is arranged to divide the frequency of the variable clock CKV by two, and to accordingly provide four shifted clock candidates CKVp(1) to CKVp(4) of quadrature phases, with phases of the variable clock CKV and the shifted clock candidate CKVp(n) separated by a phase offset of  $90*(n-1)$  degrees, for  $n=1$  to 4. Please refer to FIG. 6 illustrating the TDC operation based on quadrature phases. With one of the four quadrature phases selected as the shifted variable clock CKV', the full range of the error  $-e[k]$  which expands 360 degrees (or one period Tv of the variable clock CKV) is mapped to a smaller range of the error  $-e'[k]$ , which extends only 90 degrees, or a quarter of the period Tv.

**[0053]** For example, when the error  $-e[k]$  is predicted to be in a range S0 of 0 to 90 degrees according to the fractional part PHR1[k] of the reference phase signal PHR[k], the shift controller 42 selects the shifted clock candidate CKVp(1) as the shifted variable clock, so the error  $-e'[k]$  is also in a range of 0 to 90 degrees; the shift controller 42 also injects a fractional error correction signal PHF2[k] equivalent of zero degrees to the adder 50. When the error  $-e[k]$  is predicted to be in a range S1 of 90 to 180 degrees, the shift controller 42 switches to select the shifted clock candidate CKVp(2) of a 90-degree phase offset as the shifted variable clock CKV', so the error  $-e'[k]$  is kept in the range of 0 to 90 degrees. Correspondingly, the shift controller 42 also injects a fractional error correction signal PHF2[k] equivalent of 90 degrees ( $1/4$  in terms of the period Tv) to the adder 50.

**[0054]** Similarly, when the error  $-e[k]$  is expected to be in a range S2 of 180 to 270 degrees, the shifted clock candidate CKVp(3) of a 180-degree separation from the shifted clock candidate CKVp(1) is selected, the error  $-e'[k]$  is then maintained in the range of 0 to 90 degrees; also, a fractional error correction signal PHF2[k] equivalent of 180 degrees is injected to the adder 50 (i.e., value of  $1/2$ ). When the error  $-e[k]$  is forecasted to be in a range S3 of 270 to 360 degrees, the shifted clock candidate CKVp(4) of a 270-degree separation from the shifted clock candidate CKVp(1) is selected, so

the error  $-e[k]$  is still in the range of 0 to 90 degrees; to compensate the 270-degree phase offset subtracted from the error  $-e[k]$ , a fractional error correction signal PHF2[k] equivalent of 270 degrees is injected to the adder 50.

[0055] As shown in FIG. 5, because the TDC 40 is arranged to detect the error  $-e'[k]$  instead of the error  $-e[k]$ , the TDC range of the TDC 40 only needs to cover a range of 0 to 90 degrees, or a quarter of the period  $T_v$  of the variable clock CKV, instead of full range of the period  $T_v$ .

[0056] For a brief summary of the embodiments shown in FIG. 3 to FIG. 6, peripherals for the TDC 40, including the phase shifter 46 and the shift controller 42, are provided. Based on the fractional part of the reference phase signal PHR[k], the regularly time-varying deterministic part of the error  $-e[k]$  can be predicted, so a corresponding phase offset PHoffset can be dynamically set and subtracted from the error  $-e[k]$  to provide the error  $-e'[k]$  which is kept in a range less than full range of the period  $T_v$ . The required TDC range of the TDC 40 is therefore decreased, and the TDC 40 benefits from lower hardware complexity (e.g., delay units and/or decoupling capacitors needed), reduced power consumption, smaller layout area, lower supply interference and enhanced linearity of time-to-digital conversion without compromising TDC temporal resolution. The shift controller 42 can be readily implemented by digital logic circuits.

[0057] Please refer to FIG. 7 illustrating a frequency synthesizer 60 according to an embodiment of the invention. Similar to the frequency synthesizer 30 shown in FIG. 3, the frequency synthesizer 60 in FIG. 7 has an FCW input 32a for receiving an FCW, a frequency reference input 32b for receiving a frequency reference clock FREF, a reference phase accumulator 34, a variable phase accumulator 36, a loop filter 38, an oscillator 10, a shift controller 62, a phase shifter 66, a TDC 40, an adder 50 and a re-timer 12. The oscillator 10 is arranged to provide a variable clock CKV, e.g., an RF clock, in response to an oscillator tuning word (OTW), such that the frequency of the variable clock CKV is an FCW multiple of the frequency reference clock FREF when the variable clock CKV reaches a lock with the frequency reference clock FREF. Operations and functionalities of the reference phase accumulator 34, the variable phase accumulator 36, the TDC 40, the adder 50 and the re-timer 12 in the frequency synthesizer 60 are analogous to those in the frequency synthesizer 30, FIG. 3. The variable accumulator 36 is coupled to the oscillator 10, and arranged to provide a variable phase signal PHV[k] by accumulating unit count at each significant transition of the variable clock CKV. The reference phase accumulator 34 is arranged to provide the reference phase signal PHR[k] by accumulating the FCW in response to significant transitions of a re-timed frequency reference clock CKR of the re-timer 12.

[0058] The phase shifter 66, e.g., a digital-to-time converter (DTC), is coupled to the frequency reference input 32b and the TDC 40, and arranged to provide a shifted reference clock FREF' by delaying (or changing phase of) the frequency reference clock FREF in response to a shift control signal SEL. The variable clock CKV and the shifted reference clock FREF' are respectively fed to the TDC 40 as the signals TDC\_in and REF\_in, so the TDC 40 detects (quantizes) an error  $-e'[k]$  (a time difference) between a significant transition of the shifted clock FREF' and a prior transition of the variable clock CKV, and provide a fractional error correction signal PHF1[k] in response. In cooperation with the phase shifter 66, the shift controller 62, e.g., a DTC compensator, is

coupled to the phase shifter 66 and the adder 50, and arranged to provide the shift control signal SEL (e.g., a DTC digital control) and another fractional error correction shift PHF2[k] in response to the fractional part PHR[k] of the reference phase signal PHR[k]. With support of the shift controller 62 and the phase shifter 66, the TDC range of the TDC 40 is arranged to be less than a fraction of the period  $T_v$  of the variable clock CKV.

[0059] Please refer to FIG. 8 illustrating cooperation of the phase shifter 66, the shift controller 62 and the TDC 40. While phase lock needs information about the error  $-e[k]$  between a significant transition of the frequency reference clock FREF and a prior significant transition of the variable clock CKV, the shift controller 62 dynamically adjusts the shift control signal SEL and the fractional error correction signal PHF2[k] according to the fractional part of the reference phase signal PHR[k], so the shift control signal SEL and the fractional error correction signal PHF2[k] update following the deterministic part of the error  $-e[k]$ . The phase shifter 66 is arranged to change phase (equivalently delay) of the frequency reference clock FREF by a phase offset PHdelay which is set according to the shift control signal SEL, wherein the phase offset PHdelay is such arranged that the error  $-e'[k]$  between a significant transition of the shifted reference clock FREF' and a subsequent significant transition of the variable clock CKV is less than a fraction of full range of the period  $T_v$  (also less than or equal to the error  $-e'[k]$ ). Equivalently, the phase offset PHdelay is subtracted from the error  $-e[k]$  to form the error  $-e'[k]$ . Because the TDC 40 only quantizes a shorter error  $-e'[k]$  instead of the error  $-e[k]$ , TDC 40 benefits from a reduced TDC range. The fractional error correction signal PHF2[k] is arranged to compensate the subtracted phase offset PHdelay, as shown in FIG. 7 and FIG. 8.

[0060] For example, when the error  $-e[k]$  is in a range of  $1/2$  to  $1/4$ , the shift controller 62 sets the phase offset PHdelay to preferably  $(1/4)*T_v$ , then the error  $-e'[k]$  to be measured by the TDC 40 is in a range of 0 to  $1/4$ . When the error  $-e[k]$  is in a range of  $1/2$  to  $3/4$ , the shift controller 62 switches to set the phase offset PHdelay to preferably  $(1/2)*T_v$ , so the error  $-e'[k]$  to be measured by the TDC 40 is maintained in the range of 0 to  $1/4$ , rather than full range of 0 to 1. Because the TDC 40 is arranged to respond when a transition of the variable clock CKV and a transition of the shifted reference clock FREF' occur in a proximity of the TDC range, and not to respond when transitions of the variable clock CKV and transitions of the shifted reference clock FREF' do not occur in a proximity of the TDC range, hardware complexity (e.g., required delay units) of the TDC 40 is effectively reduced, leading to lower power consumption, less supply interference and enhanced linearity, etc.

[0061] In an embodiment, frequency of the frequency reference clock FREF is much lower than frequency of the RF variable clock CKV, so the phase shifter 66 only needs to work at low-speed. In an embodiment, the phase shifter 66 is implemented by a DTC which converts the digital shift control signal SEL (DTC digital control) to the phase offset PHdelay (a delay time interval). The DTC can be implemented by a digitally programmable delay line. To ensure appropriate immunity against PVT (process, supply voltage and temperature) variation, proper mechanism and/or procedure for calibrating the DTC can be included in the frequency synthesizer 60.

[0062] In the embodiment of FIG. 3, FIG. 5 and FIG. 7, the oscillator 10 works as a tuned oscillator; it is tuned so the

variable clock CKV is tracking the frequency reference clock FREF. The signal PHE[k] provided by the adder 50 feeds back to the oscillator 10 through the loop filter 38, and then the variable clock CKV can be further tuned in a finer sense. In an embodiment, the loop filter 38 is a digital low pass filter. The loop filter 38 can be constructed as a combination of FIR (finite impulse response) and IIR (infinite impulse response) filters. For example, in an embodiment, the loop filter 38 is arranged to provide the OTW by linearly combining the signal PHE and an accumulation of the signal PHE, so the frequency synthesizer is a type II loop.

**[0063]** In the embodiment shown in FIG. 3, FIG. 5 and FIG. 7, the TDC 40 receives the high-speed shifted variable clock CKV' (FIG. 3 and FIG. 5) or the variable clock CKV (FIG. 7) as the signal TDC\_in, and receives the low-speed frequency reference clock FREF (FIG. 3 and FIG. 5) or the shifted reference clock FREF' (FIG. 7) as the signal REF\_in. The TDC 40 quantizes the time difference between the signals TDC\_in and REF\_in, and updates the fractional error correction signal PHF1[k] at significant transitions of the signal REF\_in. However, the TDC 40 is kept receiving the high-speed toggling signal TDC\_in, no matter the fractional error correction signal PHF1[k] of the TDC 40 is triggered to update or not. High-speed toggling consumes large power, induces serious supply interference, and therefore degrades linearity of time-to-digital conversion. To address the issue, a power management is arranged to suppress unnecessary pulses in the signal TDC\_in, only to keep a single pulse closest to a subsequent significant transition of the signal REF\_in, such that power consumption and supply interference are reduced without comprising normal time-to-digital conversion.

**[0064]** Please refer to FIG. 9 illustrating a frequency synthesizer 70 according to an embodiment of the invention. Similar to the frequency synthesizers 30 and 60, the frequency synthesizer 70 includes an FCW input 32a for receiving an FCW, a frequency reference input 32b for receiving a frequency reference clock FREF, an oscillator 10 for generating a variable clock CKV, a re-timer 12 for providing a re-timed reference clock CKR by re-timing the frequency reference clock FREF at significant transition of the variable clock CKV, a reference phase accumulator 34 for providing a reference phase signal PHR[k] by accumulating the FCW in response to the re-timed reference clock CKR, a variable phase accumulator 36 for providing a variable phase signal PHV[k] by accumulating unit count at significant transitions of the variable clock CKV, a TDC 80 for providing a fractional error correction signal PHF1[k] by quantizing a time difference between the signals TDC\_in and REF\_in, an adder 50 for providing the signal PHE[k], and a loop filter 38 for providing an OTW to the oscillator 10 in response to the signal PHE[k].

**[0065]** In addition, the frequency synthesizer 70 further includes a variable clock input 78a for receiving a signal TDC\_in0, another frequency reference input 78b for receiving a signal REF\_in0, a shift controller 72, a phase shifter 76 and a power management circuit 74. The shift controller 72 is arranged to provide another fractional error correction signal PHF2[k] and the shift control signal SEL in response to a fractional part PHRf[k] of the reference phase signal PHR[k], so the adder 50 produces the signal PHE by adding an arithmetic difference (PHR[k]-PHV[k]) and an arithmetic sum (PHF1[k]+PHF2[k]). The phase shifter 76 is coupled to the shift controller 72, and arranged to change phase of the vari-

able clock CKV or the frequency reference clock FREF, and the signals TDC\_in0 and REF\_in0 are therefore provided according to the variable clock CKV and the frequency reference clock FREF respectively. The power management circuit 74 is coupled to the variable clock input 78a and the frequency reference input 78b for outputting the signals REF\_in and TDC\_in, wherein the signal TDC\_in is provided as a single pulse of the signal TDC\_in0 ahead of a subsequent significant transition of the signal REF\_in.

**[0066]** In an embodiment, cooperation of the shift controller 72 and the phase shifter 76 is similar to cooperation of the shift controller 42 and the phase shifter 46 (FIG. 3); the phase shifter 76 changes phase of the variable clock CKV by the phase offset PHoffset in response to the shift control signal SEL, and accordingly provides the shifted variable clock CKV' as the signal TDC\_in0. The shift controller 72 injects the fractional error correction signal PHF2[k] to compensate the phase offset PHoffset, and the frequency reference clock FREF is provided to the power management circuit 74 as the signal REF\_in0.

**[0067]** In another embodiment, cooperation of the shift controller 72 and the phase shifter 76 is similar to cooperation of the shift controller 62 and the phase shifter 66 (FIG. 7); the phase shifter 76 delays the frequency reference clock FREF by the phase offset PHdelay in response to the shift control signal SEL, and accordingly provides the shifted reference clock FREF' as the signal REF\_in0. The shift controller 76 injects the fractional error correction signal PHF2[k] to compensate the phase offset PHdelay, and the variable clock CKV is provided to the power management circuit 74 as the signal TDC\_in0.

**[0068]** Through cooperation of the shift controller 72 and the phase shifter 76, the time difference (the error  $-e[k]$ ) between the signals TDC\_in0 and REF\_in0 is kept in a range shorter than full range of the period Tv.

**[0069]** Please refer to FIG. 10 illustrating a power management circuit 74A according to an embodiment of the invention, which can be adopted to implement the power management circuit 74 shown in FIG. 9. The power management circuit 74A includes two logic gates 82a and 82b, and a delayer (delay element) 82c. The logic gate 82a is coupled to the signal REF\_in0 and the REF\_in at two inputs, and arranged to provide a gating signal CON in response to a logic operation result of the signals REF\_in0 and REF\_in, e.g., an AND of the signal REF\_in0 and an inversion of the signal REF\_in. The delayer 82c is coupled to the signal REF\_in0 and the logic gate 82a, and arranged to provide the signal REF\_in by delaying the signal REF\_in0 with a delay time Tdelay. The logic gate 82b is coupled to the gating signal CON and the signal TDC\_in0 at two inputs, and arranged to provide the signal TDC\_in in response to an AND logic operation result of the signal TDC\_in0 and the gating signal CON.

**[0070]** When the signal REF\_in0 transits from logic 0 to logic 1 at a significant transition 84a, the logic gate 82a is arranged to set the gating signal to logic 1, and when the signal REF\_in transits from logic 0 to logic 1 at a significant transition 84b, the logic gate 82a is arranged to set the gating signal CON back to logic 0. Hence, the gating signal CON maintains a window of logic 1 during the delay time Tdelay between the significant transitions 84a and 84b. When the gating signal CON is of logic 0, the logic gate 82b is arranged to suppress pulses of the signal TDC\_in0; and when the gating signal CON is of logic 1, the logic gate 82b is arranged

to provide a single pulse **86a** ahead of the subsequent significant transition **84b** for the signal TDC\_in by tracking the signal TDC\_in0. In other words, as the signal TDC\_in is provided according to the signal TDC\_in0, only the single pulse **86a** is reserved in the signal TDC\_in, and other unnecessary pulses of the signal TDC\_in0, such as pulses **86b** and **86c**, are suppressed by the gating signal CON. The signals REF\_in and TDC\_in are transmitted to the TDC **80**, so the error  $-e'[k]$  is obtained as the TDC **80** detects (quantizes) a timing difference corresponding to an interval THA between a significant transition **84c** of the pulse **86a** and the subsequent significant transition of the signal REF\_in.

**[0071]** By suppressing unnecessary pulses and maintaining a single pulse before a subsequent significant transition of the signal REF\_in, high-speed toggling of the TDC **80** is avoided without compromising normal function of the TDC **80**, thus power consumption is effectively reduced, and linearity of time-to-digital conversion is enhanced due to suppressed supply interference. The proper operation of the TDC **80** is not violated whether one (or more) pulse, such as the pulse **86d**, appears in the signal TDC\_in after the significant transition **84b** of the signal REF\_in, since the interval THA is measured (updated) before the significant transition **86d**. The extra pulses, however, could negatively affect the power supply network operation, hence they are not desirable.

**[0072]** Due to cooperation of the shift controller **72** and the phase shifter **76**, duration of the error  $-e'[k]$  between the signals TDC\_in0 and REF\_in0 is in the TDC range shorter than the period Tv, and the delay time Tdelay can be set shorter than the period Tv. On the contrary, if duration of the error  $-e'[k]$  distributes in full range of the period Tv, the delay time Tdelay has to be longer than the period Tv to ensure the window of the delay time Tdelay can capture at least a significant transition in the signal TDC\_in when duration of the error  $-e'[k]$  is long. However, as the delay time Tdelay is longer than the period Tv, the window tends to capture more than one pulses in the signal TDC\_in, and linearity of time-to-digital conversion could be, therefore, degraded, since more than one pulse before the significant transition **84b** induce higher supply interference when the interval THA is measured.

**[0073]** For a proper setting of the delay time Tdelay, a lower bound of the delay time Tdelay is the TDC range, an upper bound is set to avoid additional pulse(s) before the significant transition **84b**. Accordingly, an accepted variation of the delay time Tdelay is plus or minus  $(Tv/2 - Tc)/2$ , where Tc denotes the TDC range.

**[0074]** Please refer to FIG. **11** and FIG. **12**; FIG. **11** illustrates another power management circuit **74B** according to an embodiment of the invention, and FIG. **12** demonstrates operation of the power management circuit **74B** in two different cases. The power management circuit **74B** can be adopted to implement the power management circuit **74** shown in FIG. **9**. The power management circuit **74B** includes two logic gates **82a** and **82b**, a delayer **82c** and a level sense circuit **82d**. The logic gate **82a** is coupled to the signal REF\_in0 and the REF\_in at two inputs, and arranged to provide a gating signal CON in response to a logic operation result of the signals REF\_in0 and REF\_in. The delayer **82c** is coupled to the signal REF\_in0 and the logic gate **82a**, and arranged to provide the signal REF\_in by delaying the signal REF\_in0 with a delay time Tdelay. The level sense circuit **82d** is coupled to the signal TDC\_in0 and the gating signal CON at two inputs, and arranged to provide another gating signal

CON' in response to the signal TDC\_in0 and the gating signal CON. The logic gate **82b** is coupled to the gating signal CON' and the signal TDC\_in0 at two inputs, and arranged to provide the signal TDC\_in in response to an AND logic operation result of the signal TDC\_in0 and the gating signal CON'.

**[0075]** As shown in FIG. **12**, when the REF\_in0 transits from logic 0 to logic 1 at a significant transition **84a**, the logic gate **82a** is arranged to set the gating signal CON to logic 1, and when the signal REF\_in transits from logic 0 to logic 1 at a significant transition **84b**, the logic gate **82a** is arranged to set the gating signal CON back to logic 0. As shown in case 1 of FIG. **12**, when the gating signal CON transits from logic 0 to logic 1 at a transition **90a**, if the signal TDC\_in0 is of logic 0, the level sense circuit **82d** is arranged to set the gating signal CON' to logic 1 at a transition **90b**. On the other hand, as shown in case 2 of FIG. **12**, when the gating signal CON transits from logic 0 to logic 1 at the transition **90a**, if the signal TDC\_in0 is of logic 1, the level sense circuit **82d** is arranged to set the gating signal CON' to logic 1 later at a transition **90c**, when the signal TDC\_in0 transits back to logic 0. The level sense circuit **82d** is further arranged to set the gating signal CON' back to logic 0 when the gating signal CON transits back to logic 0. In other words, during the window of the delay time Tdelay opened by the gating signal CON, the level sense circuit **82d** opens a second window in the gating signal CON', when the signal TDC\_in0 is of logic 0.

**[0076]** When the gating signal CON' is of logic 0, the logic gate **82b** is arranged to suppress pulses of the signal TDC\_in0, like the pulses **88a** and **88b**. When the gating signal CON' is of logic 1, the logic gate **82b** is arranged to provide a single pulse **86a** for the signal TDC\_in by tracking the signal TDC\_in0, such that only a significant transition **84c** of the pulse **86a** exists ahead of the significant transition **84b** of the signal REF\_in. The TDC **80** detects the error  $-e'[k]$  by measuring an interval between the significant transitions **84c** and **84b**. In the signal TDC\_in, because only the single pulse **86a** presents before the significant transition **84b**, unnecessary toggling of the TDC **80** is prevented, and linearity of the TDC **80** is enhanced.

**[0077]** As shown in case 2 of FIG. **12**, if the gating signal CON is used to gate pulses of the signal TDC\_in0, an additional pulse between the significant transition **90a** and a falling edge **90d** would be included in the signal TDC\_in, and it could degrade linearity of the TDC **80**. However, because the level sense circuit **82d** adaptively avoids the duration when the signal TDC\_in0 is of logic 1, the additional pulse is excluded by the narrower window of the gating signal CON'; thus, existence of only a single pulse before the significant transition **84b** is ensured for linearity preservation. By operation of the level sense circuit **82d**, the power management circuit **74B** is more robust with improved immunity against delay variation of the delayer **82c**, since tolerable delay variation of the delay time Tdelay is expanded to plus or minus  $(Tv - Tc)/2$ .

**[0078]** Please refer to FIG. **13** illustrating an example of the level sense circuit **82d**, which includes an SR latch formed by two NAND gates **92a** and **92b**, as well as an inverter **94**. The NAND gate **92a** is respectively coupled to the signal TDC\_in0, a node n0 and a node n1 at two inputs and an output. The NAND gate **92b** is respectively coupled to the gating signal CON, the node n1 and the node n0 at two inputs and an output. The inverter **94** is coupled between the NAND gate **92b** and the logic gate **82b**. The gating signal CON' is latched at logic

0 when the signal TDC\_in0 is of logic 1, and released to follow the gating signal CON when the signal TDC\_in0 is of logic 0.

**[0079]** To sum up, supporting peripherals for TDC in digital frequency synthesizer are provided. While monitoring the time difference (phase error) between the variable clock and the frequency reference clock by the TDC, phase of one of the variable clock and the frequency reference clock is adaptively shifted according to accumulation of the FCW, so the time difference is maintained in a partial range of the period of the variable clock, and TDC range can thus be set less than the period of the variable clock. In addition, unnecessary high-frequency toggling pulses to the TDC can be gated without compromising normal function of the TDC. Shorter TDC range and gated TDC toggling lead to advantages such as enhanced linearity of time-to-digital conversion, reduced hardware complexity, lower power consumption, smaller layout area, less required decoupling capacitance, and suppressed supply interference of the frequency synthesizer.

**[0080]** While the invention has been described in terms of what is presently considered to be the most practical and preferred embodiments, it is to be understood that the invention needs not be limited to the disclosed embodiment. On the contrary, it is intended to cover various modifications and similar arrangements included within the spirit and scope of the appended claims which are to be accorded with the broadest interpretation so as to encompass all such modifications and similar structures.

What is claimed is:

1. A frequency synthesizer comprising:
  - a frequency reference input for receiving a frequency reference clock;
  - a tuned oscillator for providing an RF clock;
  - a phase shifter coupled to said tuned oscillator and arranged to change phase of said RF clock; and
  - a time-to-digital converter (TDC) coupled to said frequency reference input and said phase shifter, wherein a range of said TDC covers less than a full range of said RF clock period.
2. The frequency synthesizer of claim 1, wherein said tuned oscillator outputs multiple phases of said RF clock and wherein said phase shifter selects one of said multiple phases.
3. The frequency synthesizer of claim 1, wherein said tuned oscillator outputs quadrature phases of said RF clock and wherein said phase shifter selects one of said quadrature phases.
4. The frequency synthesizer of claim 1, wherein said tuned oscillator outputs multiple phases of said RF clock and wherein said phase shifter selects said one of said multiple phases in response to an accumulated value of a frequency command word (FCW).
5. The frequency synthesizer of claim 1, wherein said phase shifter is arranged to provide a shifted RF clock by changing phase of said RF clock, said TDC is arranged to provide a first fractional error correction signal in response to a time difference between said frequency reference clock and said shifted RF clock, and the frequency synthesizer further comprising:
  - a shift controller for providing a second fractional error correction signal in response to an accumulated value of a frequency command word (FCW);
6. The frequency synthesizer of claim 5 further comprising:
  - a variable phase accumulator coupled to said tuned oscillator for accumulating a count of periods of said RF clock and providing a variable phase signal in response; and
  - a reference phase accumulator for providing said accumulated value of said FCW by accumulating said FCW in response to each period of said frequency reference clock;
7. The frequency synthesizer of claim 6 further comprising:
  - wherein said tuned oscillator is arranged to tune periods of said RF clock further according to said variable phase signal and said accumulated value of said FCW.
8. The frequency synthesizer of claim 6, wherein said tuned oscillator is arranged to tune periods of said RF clock according to a difference between said accumulated value of said FCW and said variable phase signal, and a sum of said first fractional error correction signal and said second fractional error correction signal.
9. The frequency synthesizer of claim 5, wherein said shift controller is coupled to the phase shifter and is further arranged to provide a shift control signal in response to said accumulated value of said FCW, and wherein said phase shifter is arranged to change phase of said RF clock according to said shift control signal.
10. The frequency synthesizer of claim 9, wherein said shift controller is arranged to provide said second fractional error correction signal and said shift control signal according to a fractional part of said accumulated value of said FCW.
11. The frequency synthesizer of claim 1, wherein said phase shifter is arranged to change phase of said RF clock and to provide a shifted RF clock accordingly, such that a time difference between a transition of said frequency reference clock and a prior transition of said shifted RF clock is less than said full range of said RF clock period.
12. The frequency synthesizer of claim 1, wherein said TDC is arranged to respond when a transition of said changed RF clock and a transition of said frequency reference clock occur in a proximity of said range, and not to respond when transitions of said changed RF clock and transitions of said frequency reference clock do not occur in a proximity of said range.
13. A frequency synthesizer comprising:
  - an oscillator for providing a variable clock;
  - a phase shifter coupled to said oscillator, and arranged to provide a shifted variable clock whose phase is arranged to be different from phase of said variable clock by a phase offset, wherein said phase offset is such arranged that a time difference between a transition of a frequency reference clock and a prior transition of said shifted variable clock is less than a period of said variable clock; and

a time-to-digital converter (TDC) coupled to said phase shifter, and arranged to provide a first fractional error correction signal by quantizing said time difference.

**14.** The frequency synthesizer of claim **13** further comprising:  
 a reference phase accumulator for providing a reference phase signal by accumulating a frequency command word (FCW) in response to each period of said frequency reference clock;  
 wherein said phase shifter is arranged to set said phase offset in response to said reference phase signal.

**15.** The frequency synthesizer of claim **14** further comprising:  
 a shift controller coupled to said phase shifter, and arranged to provide a second fractional error correction signal in response to said reference phase signal;  
 wherein said oscillator is arranged to tune periods of said variable clock according to said first fractional error correction signal and said second fractional error correction signal.

**16.** The frequency synthesizer of claim **15** further comprising:  
 a re-timer arranged to providing a re-timed reference clock by re-timing said frequency reference clock at transitions of said variable clock, wherein said reference phase accumulator is arranged to accumulate said FCW at transitions of said re-timed reference clock; and  
 a variable phase accumulator coupled to said oscillator for providing a variable phase signal by accumulating a count of periods of said variable clock;  
 wherein said oscillator is arranged to tune periods of said variable clock further according to said variable phase signal and said reference phase signal.

**17.** The frequency synthesizer of claim **15**, wherein said shift controller is further arranged to provide a shift control signal in response to said reference phase signal, and said phase shifter comprises:  
 a divider coupled to said oscillator, and arranged to provide a plurality of shifted clock candidates of different phases according to said variable clock; and  
 a phase selector coupled to said divider and said shift controller, and arranged to select one of said plurality of shifted clock candidates as said shifted variable clock according to said shift control signal.

**18.** A frequency synthesizer comprising:  
 an oscillator for providing a variable clock;  
 a time-to-digital converter (TDC) arranged to provide a first fractional error correction signal by quantizing a time difference between a frequency reference clock and a shifted variable clock, wherein phase of said shifted variable clock is arranged to be different from phase of said variable clock by a phase offset; and  
 a shift controller arranged to provide a second fractional error correction signal in response to an accumulated value of a frequency command word (FCW);  
 wherein said oscillator is further arranged to tune periods of said variable clock according to said first fractional error correction signal and said second fractional error correction signal.

**19.** The frequency synthesizer of claim **18** further comprising:  
 a phase shifter coupled to said oscillator, and arranged to provide said shifted variable clock.

**20.** The frequency synthesizer of claim **18** further comprising:  
 a reference phase accumulator arranged to provide said accumulated value of said FCW by accumulating said FCW in response to each period of said frequency reference clock.

**21.** The frequency synthesizer of claim **20** further comprising:  
 a variable phase accumulator coupled to said oscillator for providing a variable phase signal by accumulating a count of periods of said variable clock;  
 wherein said oscillator is arranged to tune periods of said variable clock further according to said variable phase signal and said accumulated value of said FCW.

**22.** A method of synthesizing a frequency by providing a variable clock, comprising:  
 generating said variable clock in response to an oscillator tuning signal;  
 phase shifting said variable clock by a phase offset to obtain a shifted variable clock; and  
 digitizing a timing difference of said shifted variable clock and a frequency reference clock such that a range of said digitizing covers less than a full range of said variable clock period.

**23.** The method of claim **22** further comprising:  
 adjusting said phase offset such that a time difference between a transition of said frequency reference clock and a prior transition of said shifted variable clock is less than or equal to a time difference between a transition of said frequency reference clock and a prior transition of said variable clock.

**24.** The method of claim **23** further comprising:  
 obtaining an accumulated value of a frequency command word (FCW) by accumulating said FCW according to periods of said frequency reference clock; and  
 adjusting said phase offset in response to a fractional part of said accumulated value of said FCW.

**25.** The method of claim **24** further comprising:  
 obtaining a first fractional error correction signal in response to said digitizing; and  
 adjusting said oscillator tuning signal in response to said first fractional error correction signal.

**26.** The method of claim **25** further comprising:  
 obtaining a second fractional error correction signal in response to said phase offset;  
 adjusting said oscillator tuning signal further in response to said second fractional error correction signal.

**27.** The method of claim **23** further comprising:  
 selecting the phase offset from one of multiple phases of said variable clock.

\* \* \* \* \*